

Specification Submittal Data / Panasonic Ventilation Fan

Description:

Ventilation fan/light shall be low sone ceiling or wall mount rated for continuous run. Fan shall be ENERGY STAR® rated and certified by the Home Ventilation Institute (HVI). Fan shall include energy efficient compact fluorescent lighting. Evaluated by Underwriters Laboratories and conform to both UL and cUL safety standards.

Motor/Blower:

- Four-pole totally enclosed condenser motor rated for continuous run.
- Power rating shall be 120 volts and 60 Hz.
- Fan shall be UL and cUL listed for tub/shower enclosure when used with a GFCI protected circuit and used in insulated ceiling (TYPE I.C.).
- Motor equipped with thermal-cut-off fuse.
- Removable, permanently lubricated, plug-in motor.

Housing:

- Rust proof paint, galvanized steel body.
- Expandable extension bracket up to 24"
- 4" oval diameter duct.
- Optional 24 gauge steel, fire code rated 4" oval to 3" round duct adaptor sold separately (Model # FV-VS43R)
- Built in backdraft damper.
- Built-in metal flange provides blocking for penetrations through drywall as an Air Barrier, and assists with the decrease in leakage in the Building Envelope during blower door testing.
- Double hanger bar system allowing for ideal positioning.

Light:

- Two 13 Watt self-ballasted GU24 base compact fluorescent lamps included.

- One 4-Watt night-light included.
- FCC Part 18 compliant.

Grille:

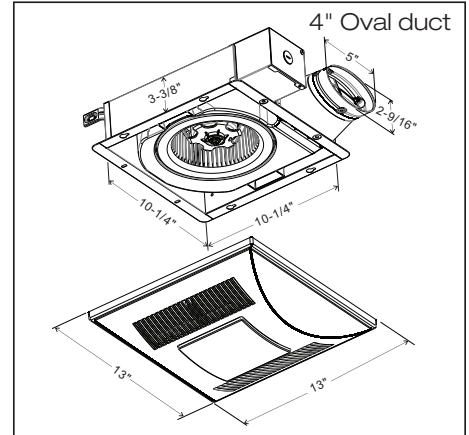
- Attractive design using PP material.
- Attaches directly to housing with torsion springs.

Warranty:

- ALL Parts: 3 Years from original purchase date.
CFL: 1 year. Night Light: No Warranty

Architectural Specifications:

Ventilation fan and light shall be ceiling or wall mount, ENERGY STAR® rated, with no less than 80 CFM and no more than 1.0 sones as certified by the Home Ventilating Institute (HVI) at 0.1 wg with no less than 72 CFM and no more than 1.2 sones at .25 wg. Power consumption shall be no greater than 22.5 Watts at 0.1 wg and 22.9 Watts at 0.25 wg with efficiency of no less than 3.6 CFM/Watt at 0.1 wg and 3.1 CFM/Watt at 0.25 wg. The motor shall be fully enclosed, four pole condenser type engineered to operate continuously for no less than 30,000 hours. Power rating shall be 120v/60Hz. Duct diameter shall be no less than or 4". Optional 24 gauge steel, fire code rated 4" oval to 3" round duct adaptor sold separately (Model # FV-VS43R). Fan shall be UL and cUL listed for ceiling or wall installation and tub/shower enclosure when used with a GFCI protected circuit. Fan can be used to comply with ASHRAE 62.2, LEED, ENERGY STAR IAP, EarthCraft, California Title-24 and WA Ventilation Code. Lamps shall be of the compact fluorescent type and utilize no less than two 13 Watt, ESTAR rated, self-ballasted GU24 base compact fluorescent lamps. Night-light feature shall be included.



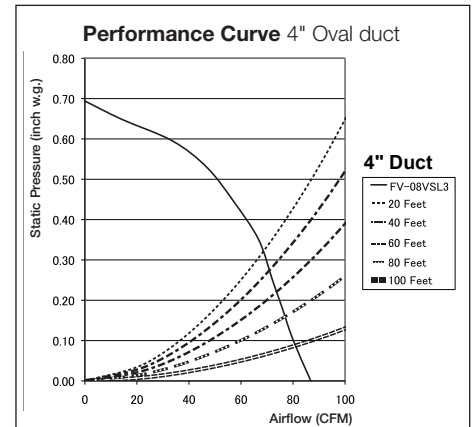
FV-08VSL3

Specifications: WhisperValue FV-08VSL3		4" Oval Duct	
Ventilation Fan Characteristics (HVI Certified Data)	Static Pressure in inches w.g.	0.1	0.25
	Air Volume (CFM)	80	72
	Noise (sones)	1.0	1.2
	Power Consumption (watts)	22.5	22.9
	Energy Efficiency (CFM/Watt)	3.6	3.1
	Speed (RPM)	825	1021
	Current (amps)	0.19	0.19
	Power Rating (V/Hz)	120/60	
	ENERGY STAR rated	YES	

0.25=Installed Performance



(2) 13W self-ballasted GU24 base CFL lamps included



For complete Installation Instructions visit us.panasonic.com/ventfans

Model	Quantity	Comments	Project:
			Location:
			Architect:
			Engineer:
			Contractor:
			Submitted by:
			Date:

Panasonic Eco Solutions North America
Eco Products Division
Two Riverfront Plaza
Newark, NJ 07102

us.panasonic.com/ventfans

