

BUILDER SERIES



60-1/4-INCH WIDE MODEL

San Salvador 1 (Self-Rimming)

Unit Dimensions

60-1/4" wide x 32-1/4" deep x 21" high

Unit Features

- Vacuum Formed Acrylic
- 2" Dia. End Drain (see reverse side for location)
- 2-1/2" Dia. Overflow (see reverse side for location)
- Pre-Leveled Block Base System
- Balsa Wood Core Floor Structure
- Textured Floor Pattern

Special Notes

- Whirlpool System Available (see reverse side for details)
- Air System Available (see reverse side for details)
- UL Listed Whirlpool & Air Systems

Unit / System Order Number

Acrylic: TR-B-100 / 0ND (soaking tub)
TR-B-100 / 6P (Builder System)
TR-B-100 / AR2 (Revive Air System)

System Trim

Standard 6P Trim (order code): White trim on White unit (WHT) - Bone trim on Bone unit (BON) - Biscuit trim on Biscuit unit (BSC)

Order Number / Description

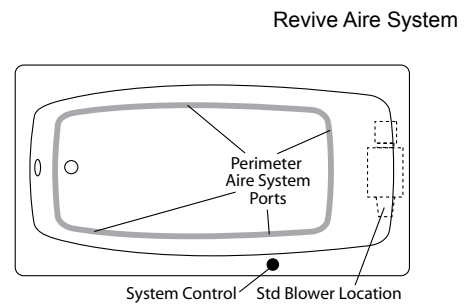
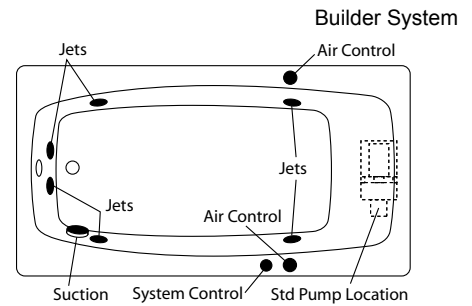
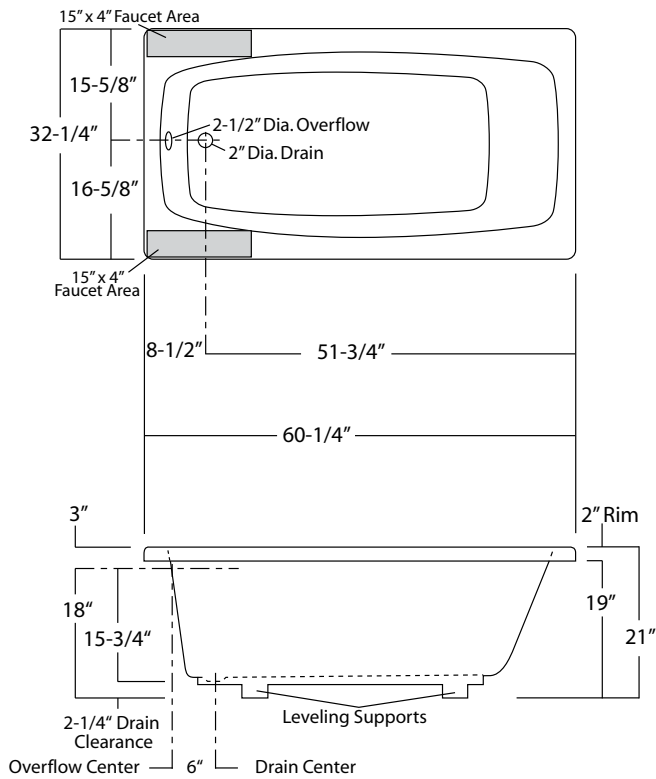
6P: *Builder System* includes: 6-Adjustable jets, twin air controls, pneumatic system control, and 5.50 amp pump/motor.

Options: In-Line Heater (1*) (order: ILH)
Ozone Generator (1*) (order: OZG)

Order Number / Description

AR2: *Revive Air System (3*)* includes: (48) Perimeter air ports, electronic system control, and a 12.0 amp, 600-watt blower with ceramic heater.

Notes: (1*) Factory installed options
(2*) Includes system control upgrade
(3*) Available on acrylic models only



Sump Dimen: 48" long x 23-1/2" wide x 17-1/2" deep
Sump Capacity: 52 gal. (unoccupied - to overflow)
Whirlpool Operating: 41 gal.