

# 36-INCH TO 48-INCH SHOWER BASES



**Oasis**



## MODELS

SP-1  
SP-4  
SP-3  
SB-4832  
SP-2  
SP-8

| Rough-In Dimensions | Model   | Dimensions                                |
|---------------------|---------|---|
|                     | SP-1    | 36" wide x 37-1/4" deep x 7-1/4" high     |
|                     | SP-4    | 36" wide x 47-5/8" deep x 7-1/4" high     |
|                     | SP-3    | 41-7/8" wide x 42-3/4" deep x 7-1/4" high |
|                     | SB-4832 | 48" wide x 32" deep x 5-1/4" high         |
|                     | SP-2    | 48" wide x 35" deep x 7-1/4" high         |
|                     | SP-8    | 48" wide x 36-3/4" deep x 7-1/4" high     |

| Finished Dimensions | Model   | Dimensions                            |
|---------------------|---------|---------------------------------------|
|                     | SP-1    | 36" wide x 36" deep x 6" high         |
|                     | SP-4    | 36" wide x 47-5/8" deep x 6" high     |
|                     | SP-3    | 41-7/8" wide x 41-1/2" deep x 6" high |
|                     | SB-4832 | 48" wide x 32" deep x 4" high         |
|                     | SP-2    | 48" wide x 33-3/4" deep x 6" high     |
|                     | SP-8    | 48" wide x 35-1/2" deep x 6" high     |

### Unit Features

- One-Piece Gelcoat Surface
- 3-3/8" Center Drain (see reverse side for location)
- Integral Tile Flange
- Balsa Wood Core Floor Structure
- Textured Floor Pattern

### Special Notes

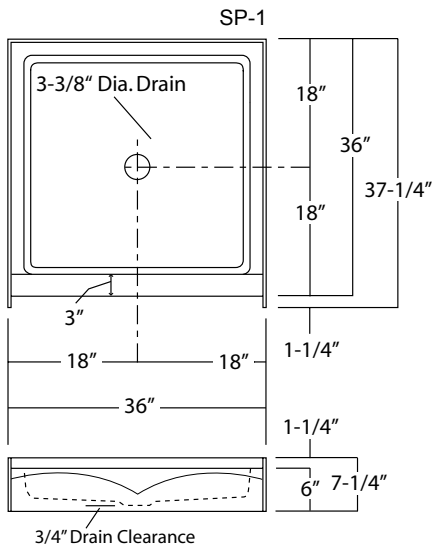
- SB-4832 ABF Model Provides 3" of Drain Clearance
- Individually Packaged In Cartons

### Unit Order Number

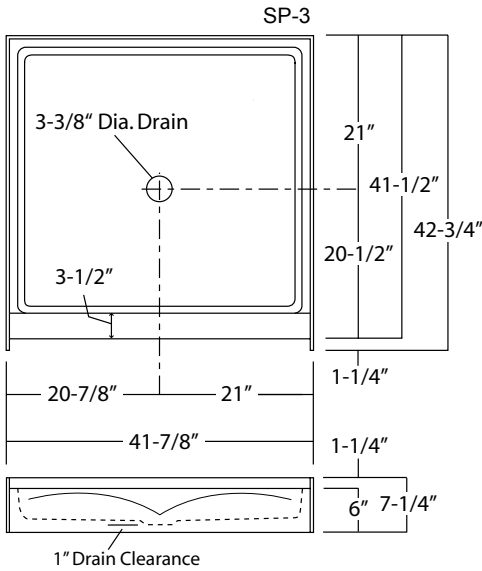
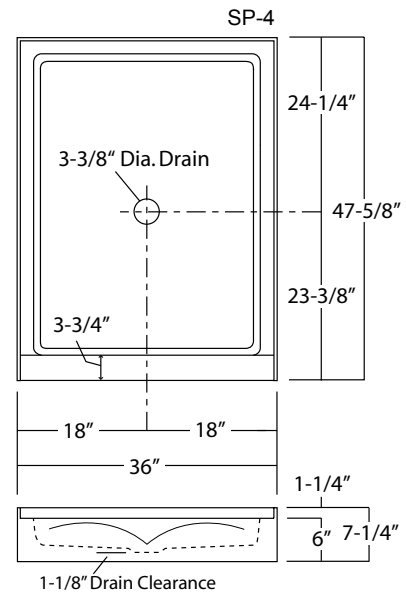
Gelcoat: SP-1  
SP-4  
SP-3

### Unit Order Number

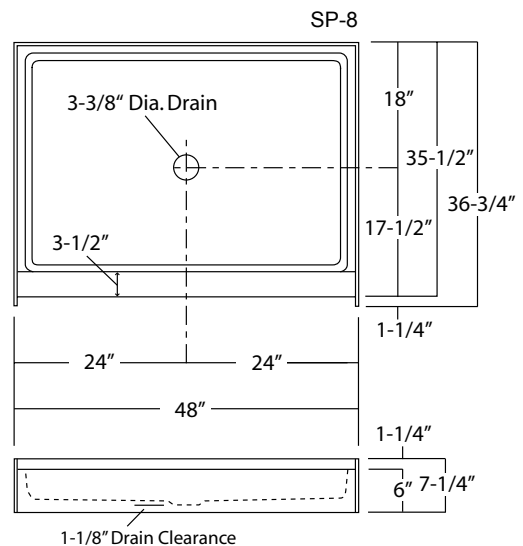
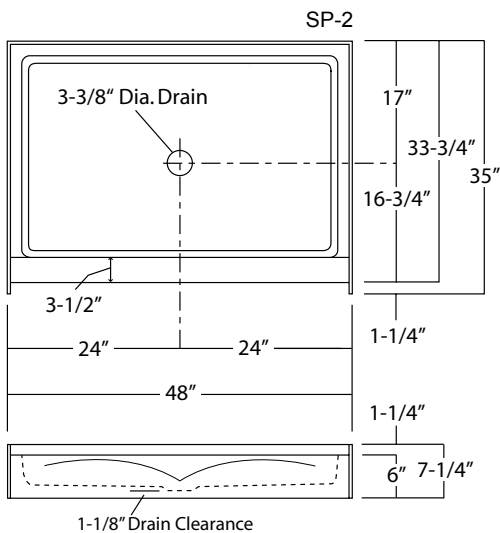
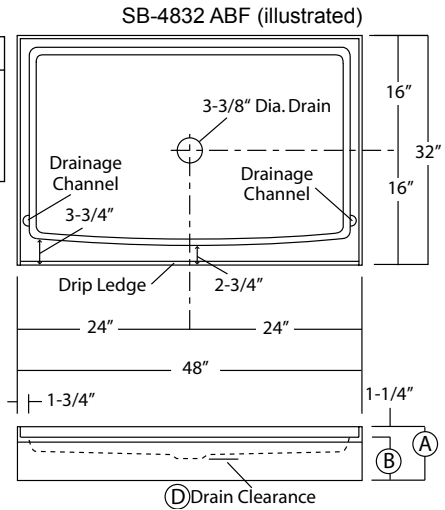
Gelcoat: SB-4832  
SB-4832 ABF  
SP-2  
SP-8



**NOTE:**  
Critical enclosure dimensions should be taken directly from the installed shower base with finished wall surround.



|   | Std Unit | ABF Unit |
|---|----------|----------|
| A | 5-1/4"   | 7-1/4"   |
| B | 4"       | 6"       |
| C | -        | -        |
| D | 1"       | 3"       |



Photographic images may include optional components and appear different than actual product.  
Dimensions shown are maximum. Due to the nature of the materials involved, actual unit dimensions can vary (tolerances: +0 / -3/8 inch).  
Oasis reserves the right to modify or discontinue product and/or associated equipment without prior written or verbal notification or obligation.