

VURSA SERIES SHOWER STALL

Oasis®



48-INCH MODEL

SH-4836 (no seat)

Rough-In Dimensions

48" wide x 37-1/4" deep x 76-3/4" high (with low profile dam)

Finished Dimensions

48" wide x 36" deep x 75-1/2" high (with low profile dam)

Unit Features



- One - Piece Fiberglass Composite Construction
- Sanitary Grade Polyester Gelcoat Surface
- 3-3/8" Dia. Center Drain (see following pages)
- Twin, Elevated Corner Accessory Towers
- Generous Back Wall Shelving
- Flat Wall Design To Accommodate Grab Bar Applications
- Center, Lower Accessory Shelf With Wash Cloth Rod
- Low Profile Dam (standard)
- Textured Floor Pattern
- Balsa Wood Core Floor Structure

Special Notes

- Optional ABF Model (provides 3 Inches of drain clearance)
- Factory Applied Reinforcement Packages Available (see following pages)
- Factory Applied Bar Packages Available (see following pages)

Order No.: SH-4836 (4" dam)

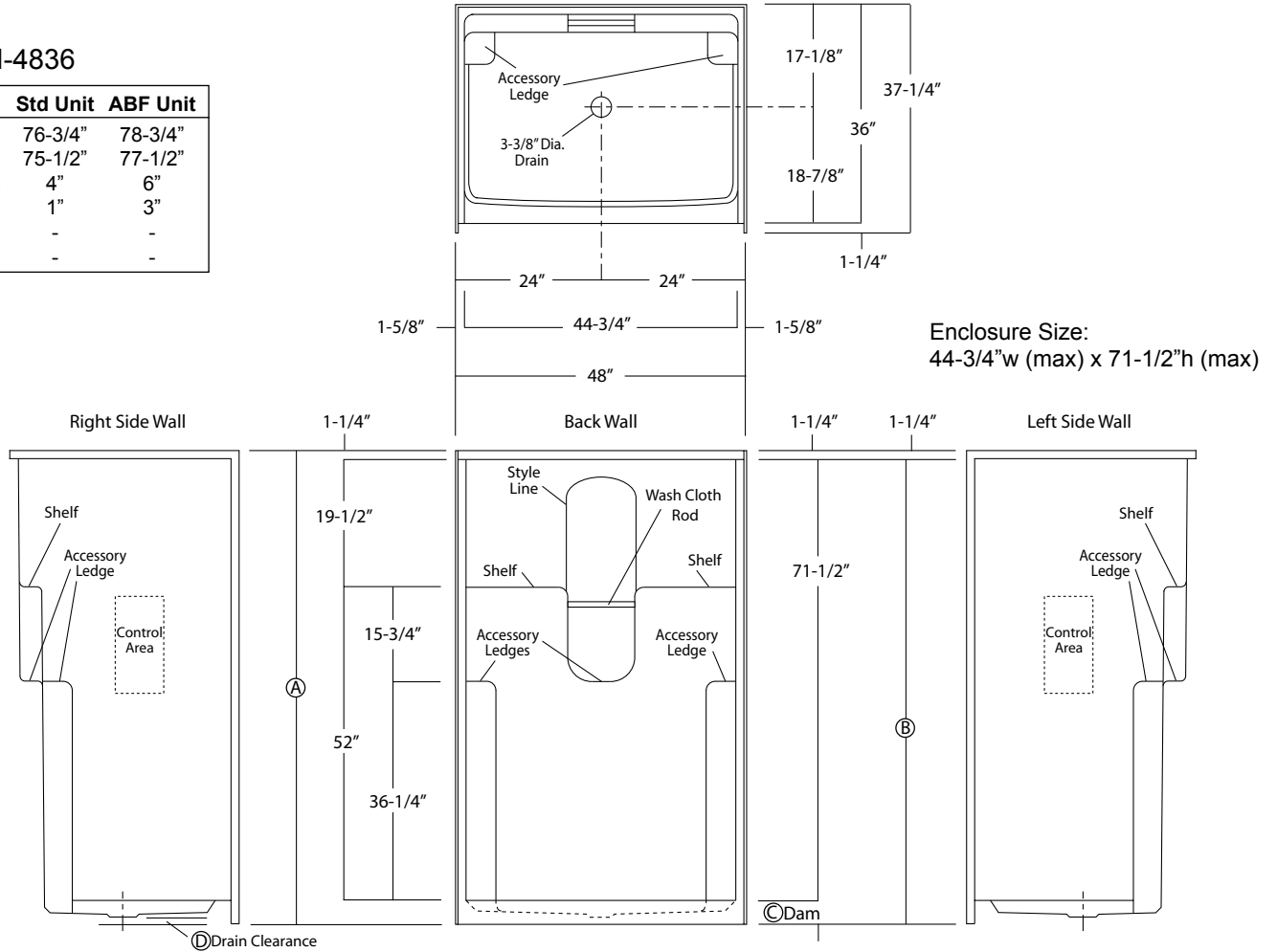
SH-4836 ABF (6" dam)

48" x 36", one-piece gelcoated fiberglass shower stall with a 4" low profile dam (1" drain clearance), dual shelves and accessory ledges, wall surround, and center drain.

NOTE: ABF unit provides 3" drain clearance.

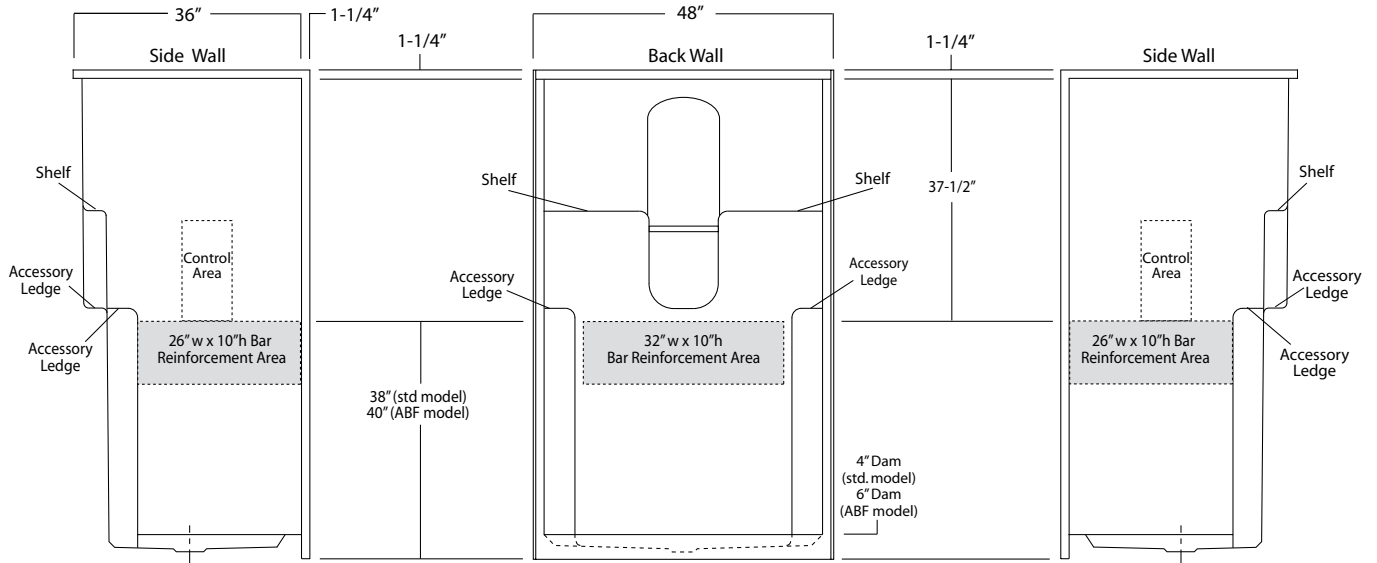
SH-4836

	Std Unit	ABF Unit
A	76-3/4"	78-3/4"
B	75-1/2"	77-1/2"
C	4"	6"
D	1"	3"
E	-	-
F	-	-



Package Order No.: FH (Fair Housing wall reinforcement)

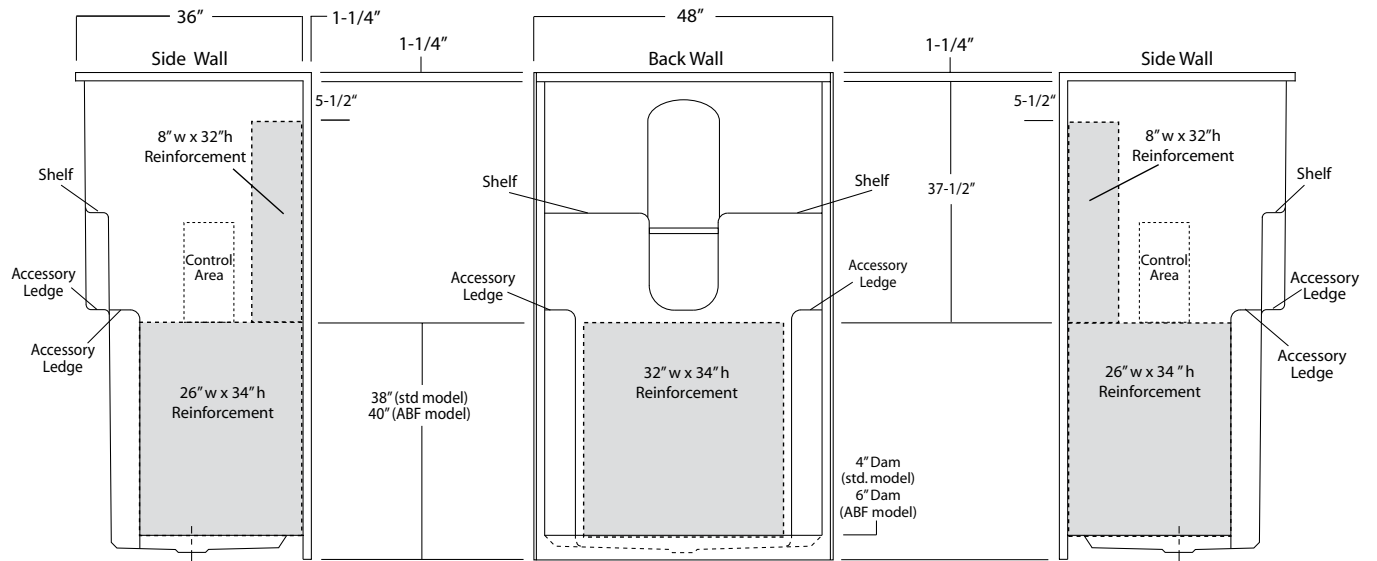
Package Includes: Factory applied, HUD-FHA compliant (Fair Housing), structurally reinforced wall areas (as shown) for the independent field application of bars.



Package Order No.: 3SM (3-side, mid-level wall reinforcement)

Package Includes: Factory applied, 3-side, mid-level, structurally reinforced wall areas (as shown), exceeding 'Fair Housing' (HUD/FHA) requirements.

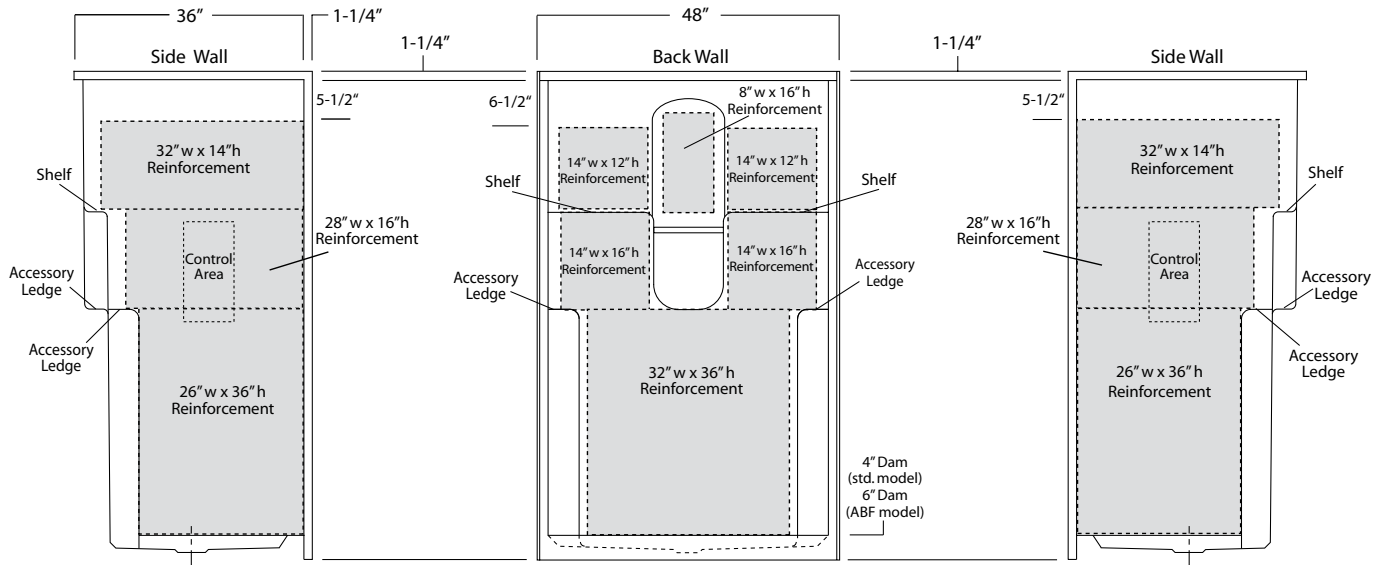
NOTE: Factory installed bar packages available using 3SM reinforcement.



Package Order No.: 3SF (3-side, full-wall reinforcement)

Package Includes: Factory applied, 3-side, full-wrap, structurally reinforced wall areas (as shown), exceeding 'Fair Housing' (HUD/FHA) requirements, for the independent field application of bars.

NOTE: Factory installed bar packages available using 3SF reinforcement.

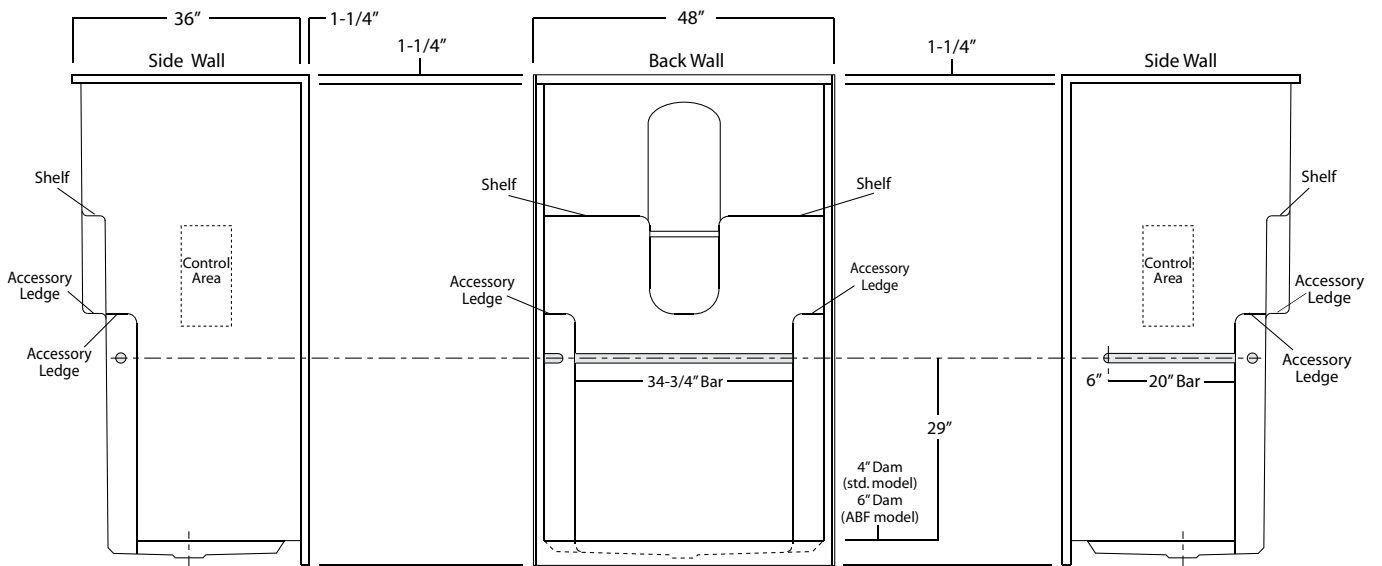


- Package Order No.:** BP1-(R or L) (1-1/2" dia., stainless steel, 2-bar only package)
Upgrade Package No.: BP1-(R or L) WHT (1-1/4" dia., white powder coat, 2-bar only package)
 BP1-(R or L) OFW (1-1/4" dia., off-white powder coat, 2-bar only package)
 BP1-(R or L) SNK (1-1/4" dia., satin nickel, 2-bar only package)

Package Includes: Factory installed, 1-1/2" dia. stainless steel, 2-bar package with basic reinforcement for components (as shown).

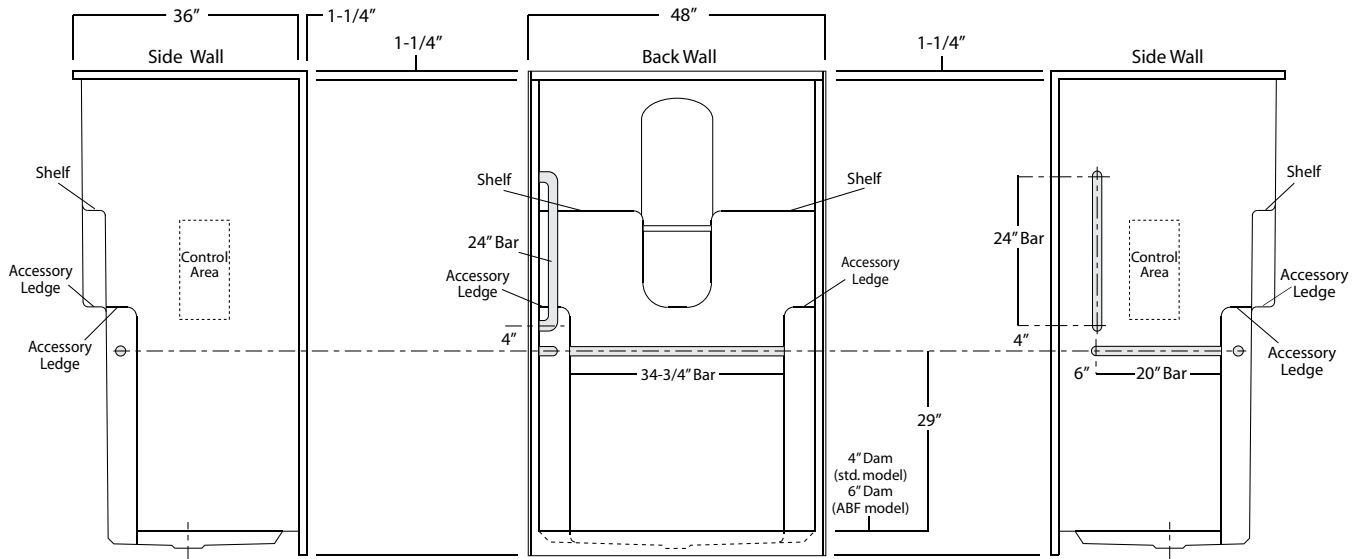
NOTE: Enhanced reinforcement available, see 3SM & 3SF packages.

NOTE: "R or L" designates RH or LH control wall.



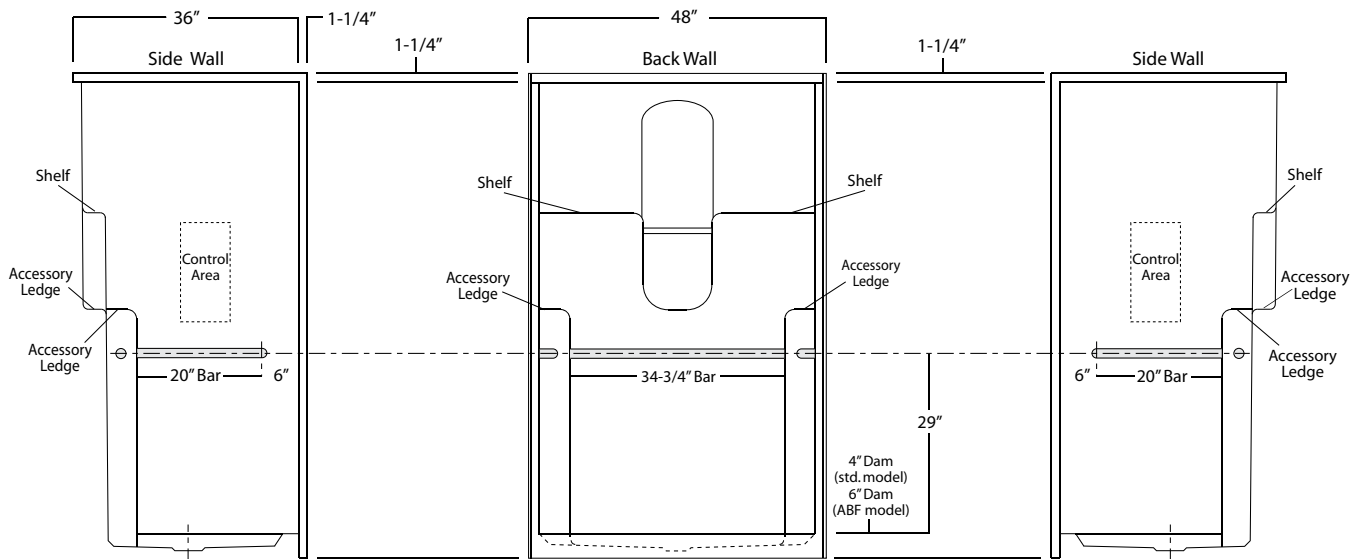
Package Order No.: BP2-(R or L) (3-bar only package)
Upgrade Package No.: BP2-(R or L) WHT (1-1/4" dia., white powder coat, 3-bar only package)
 BP2-(R or L) OFW (1-1/4" dia., off-white powder coat, 3-bar only package)
 BP2-(R or L) SNK (1-1/4" dia., satin nickel, 3-bar only package)

Package Includes: Factory installed, 1-1/2" dia. stainless steel, 3-bar package with basic reinforcement for components (as shown).
 NOTE: Enhanced reinforcement available, see 3SM & 3SF packages.
 NOTE: "R or L" designates RH or LH control wall.



Package Order No.: BP3 (3-bar only package)
Upgrade Package No.: BP3 WHT (1-1/4" dia., white powder coat, 3-bar only package)
 BP3 OFW (1-1/4" dia., off-white powder coat, 3-bar only package)
 BP3 SNK (1-1/4" dia., satin nickel, 3-bar only package)

Package Includes: Factory installed, 1-1/2" dia. stainless steel, 3-bar package with basic reinforcement for components (as shown).
 NOTE: Enhanced reinforcement available, see 3SM & 3SF packages.



Package Order No.: BP5 (3-bar only package)
Upgrade Package No.: BP5 WHT (1-1/4" dia., white powder coat, 3-bar only package)
BP5 OFW (1-1/4" dia., off-white powder coat, 3-bar only package)
BP5 SNK (1-1/4" dia., satin nickel, 3-bar only package)

Package Includes: Factory installed, 1-1/2" dia. stainless steel, single, back wall bar package (as shown).
NOTE: Enhanced reinforcement available, see 3SM & 3SF packages.

