

**VURSA kd SERIES
SHOWER STALL**

Oasis

SH3P-3636 BP1-R



MULTI-PIECE MODEL



SH3P-3636 (3-piece)

Rough-In Dimensions

36" wide x 37-1/4" deep x 76" high (with 4-inch dam)

Finished Dimensions

36" wide x 36" deep x 74-3/4" high (with 4-inch dam)

Unit Features



- Three - Piece Fiberglass Composite Construction
- Sanitary Grade Polyester Gelcoat Surface
- Front-Side Installation With Minimal Sealant Requirements
- 3-3/8" Dia. Center Drain
- Anti-Drip Front Dam Ledge
- Twin Corner Accessory Ledges
- Upper Back Wall Shelving
- Wall Design Accommodates Grab Bar Applications
- Textured Floor Pattern
- 1/2-inch Balsa Wood Core Floor Structure

Special Notes

- Optional ABF Model (provides 3-inches of drain clearance)
- 'QwikClic' Technology (Patents Pending)
- Factory Applied Reinforcement Packages Available (see following pages)
- Factory Applied Bar Packages Available (see following pages)

Order No.: SH3P-3636 (4" dam)

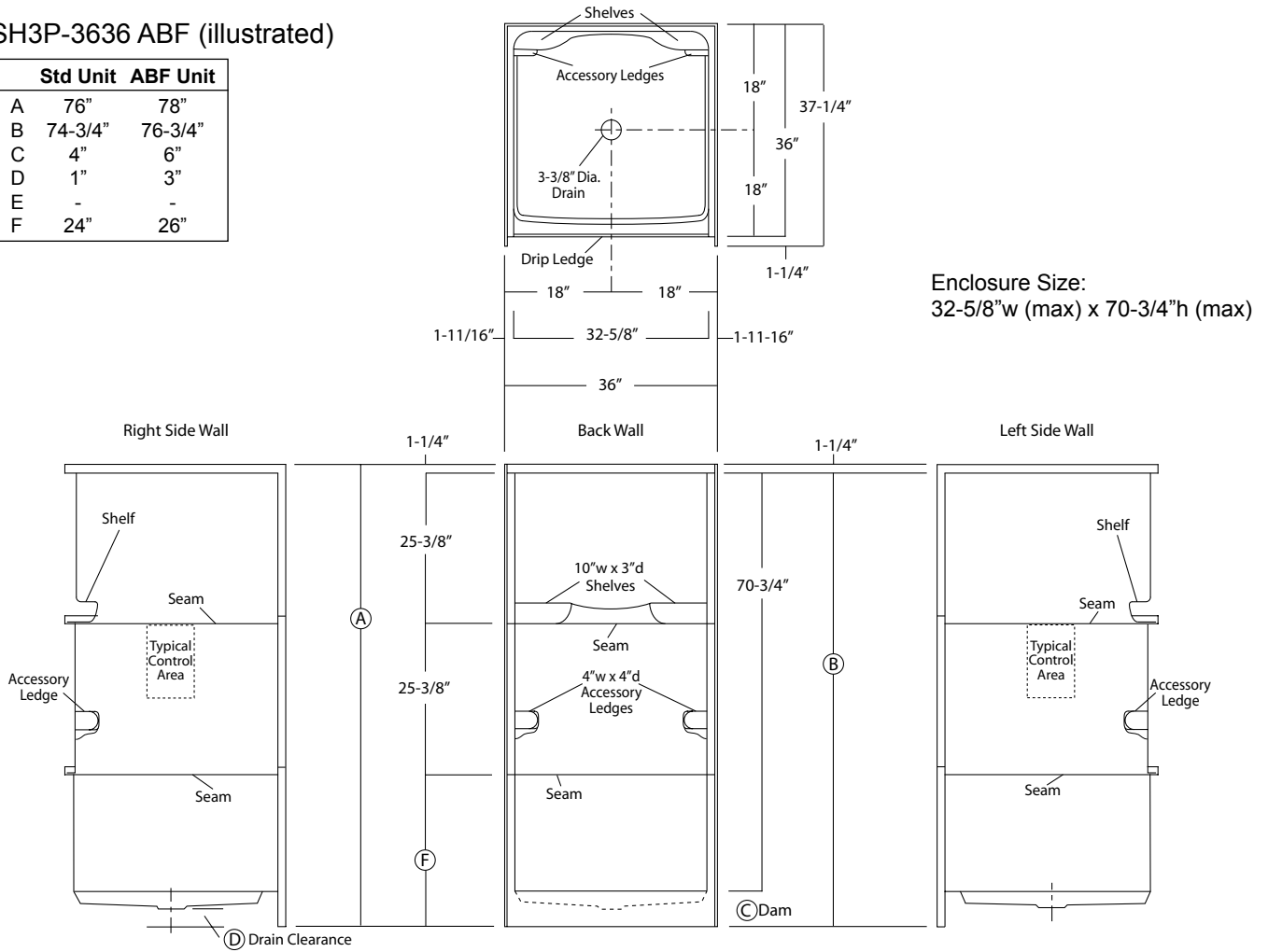
Order No.: SH3P-3636 ABF (6" dam)

36" x 36", 3-piece gelcoated fiberglass shower with 'QuikClic', front side installation, upper-level back wall shelves, corner accessory ledges and center drain.

NOTE: Base unit provides 1" drain clearance, ABF unit provides 3" drain clearance.

SH3P-3636 ABF (illustrated)

	Std Unit	ABF Unit
A	76"	78"
B	74-3/4"	76-3/4"
C	4"	6"
D	1"	3"
E	-	-
F	24"	26"

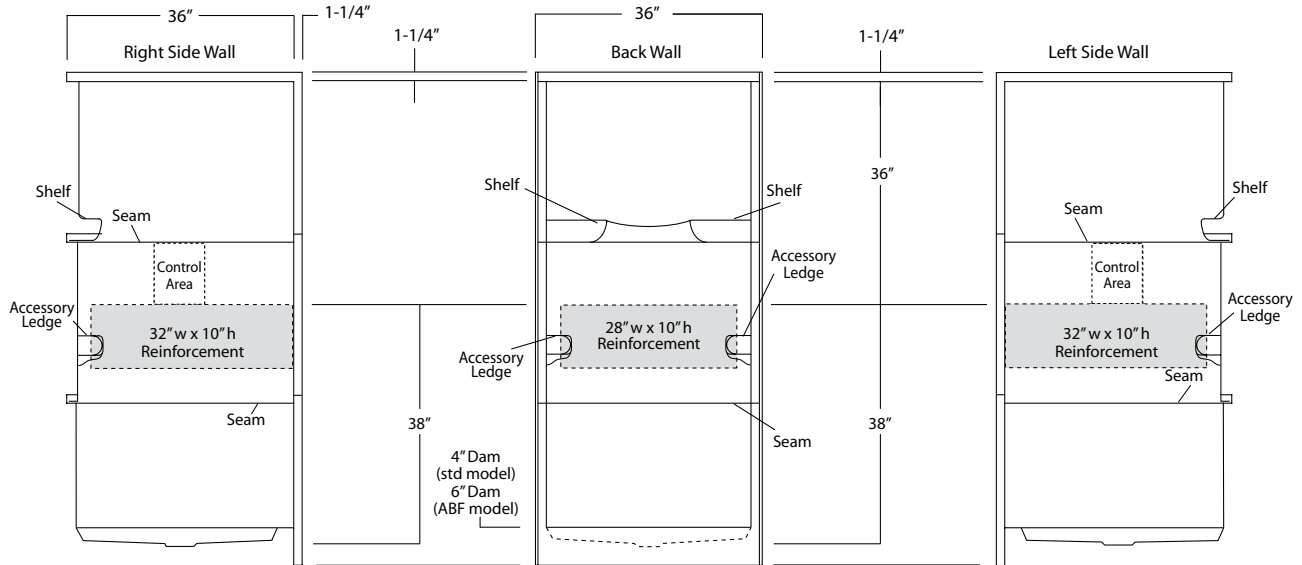


Enclosure Size:
32-5/8"w (max) x 70-3/4"h (max)

Shower Floor Area: 1074 sq. in.

Package Order No.: FH (Fair Housing wall reinforcement)

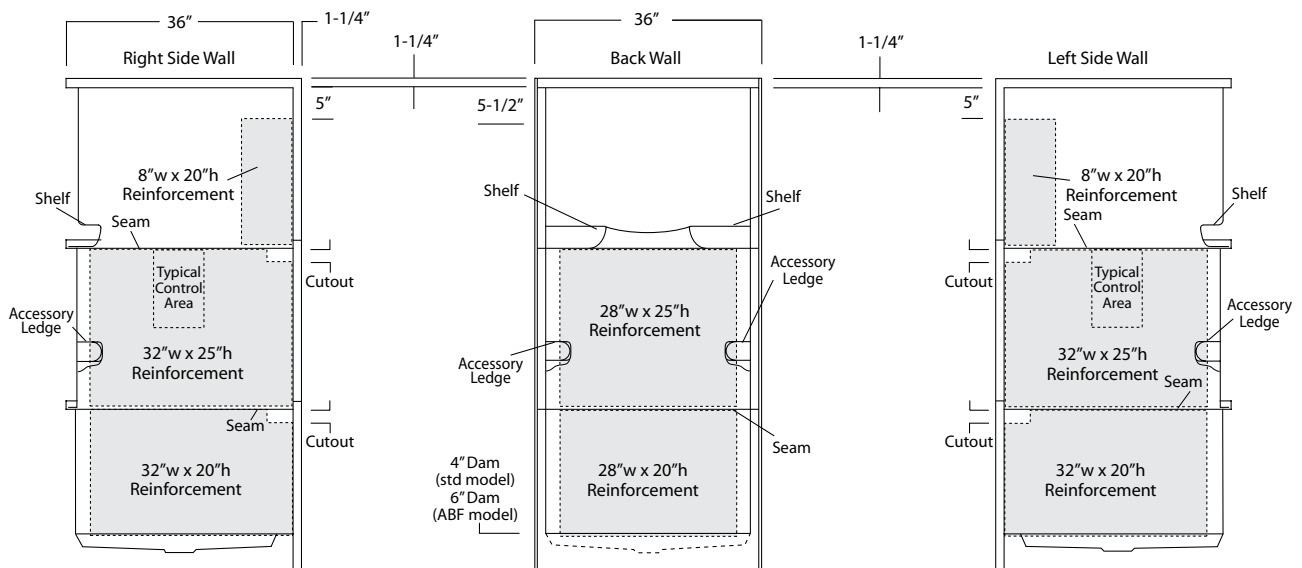
Package Includes: Factory applied, HUD-FHA compliant (Fair Housing), structurally reinforced wall areas (as shown) for independent field application of bars.



Package Order No.: 3SM (3-side, mid-level wall reinforcement)

Package Includes: Factory applied, 3-side, mid-level, structurally reinforced wall areas (as shown), exceeding 'Fair Housing' (HUD/FHA) requirements, for independent field application of bars.

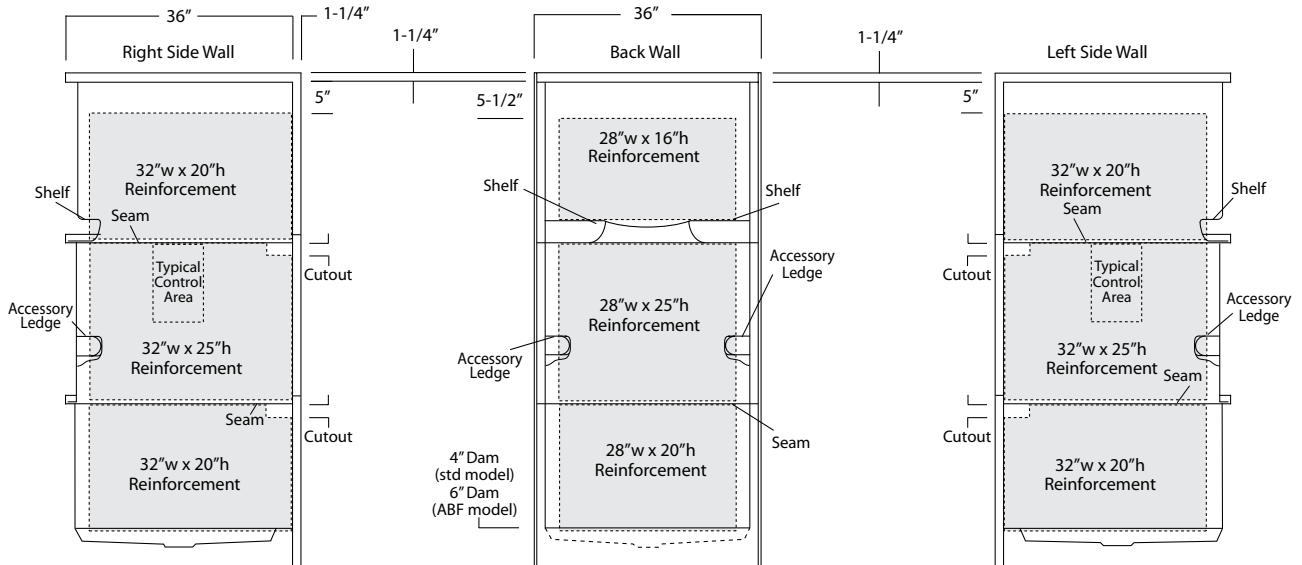
NOTE: Factory installed bar packages available using 3SM reinforcement.



Package Order No.: 3SF (3-side, full-wall reinforcement)

Package Includes: Factory applied, 3-side, full-wrap, structurally reinforced wall areas (as shown), exceeding 'Fair Housing' (HUD/FHA) requirements, for independent field application of bars.

NOTE: Factory installed bar packages available using 3SF reinforcement.

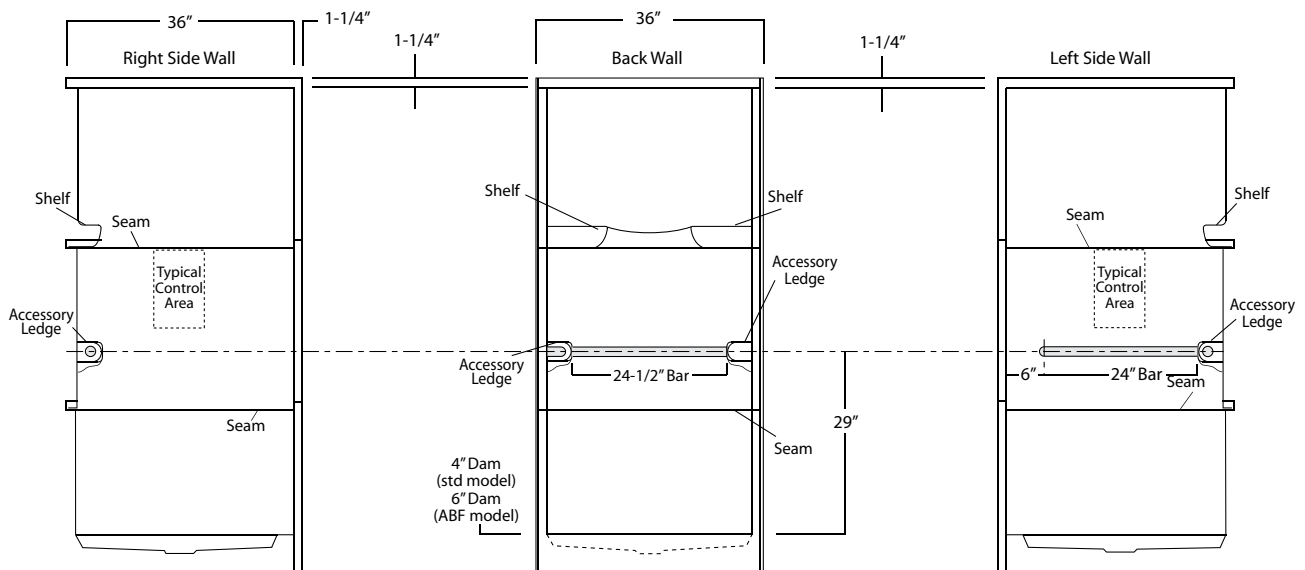


- Package Order No.:** BP1-(R or L) (1-1/2" dia., stainless steel, 2-bar only package)
Upgrade Package No.: BP1-(R or L) WHT (1-1/4" dia., white powder coat, 2-bar only package)
 BP1-(R or L) OFW (1-1/4" dia., off-white powder coat, 2-bar only package)
 BP1-(R or L) SNK (1-1/4" dia., satin nickel, 2-bar only package)

Package Includes: Factory installed, 1-1/2" dia. stainless steel, 2-bar package with basic reinforcement for components (as shown).

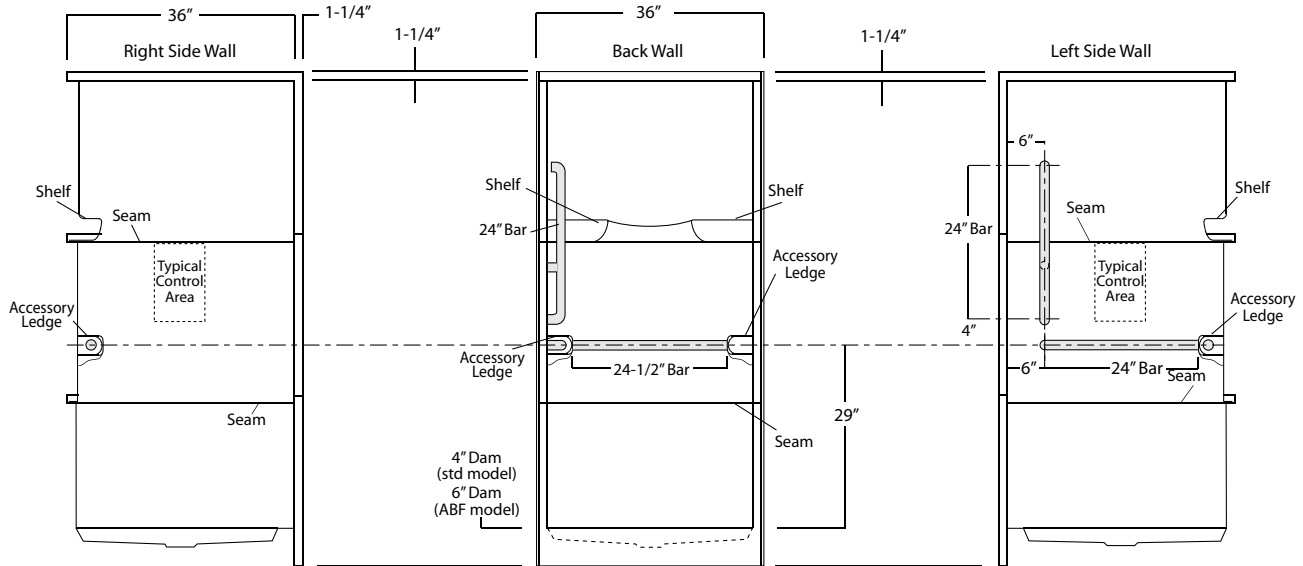
NOTE: Enhanced reinforcement available, see 3SM & 3SF packages.

NOTE: "R or L" designates RH or LH control wall (BP1-L illustrated).



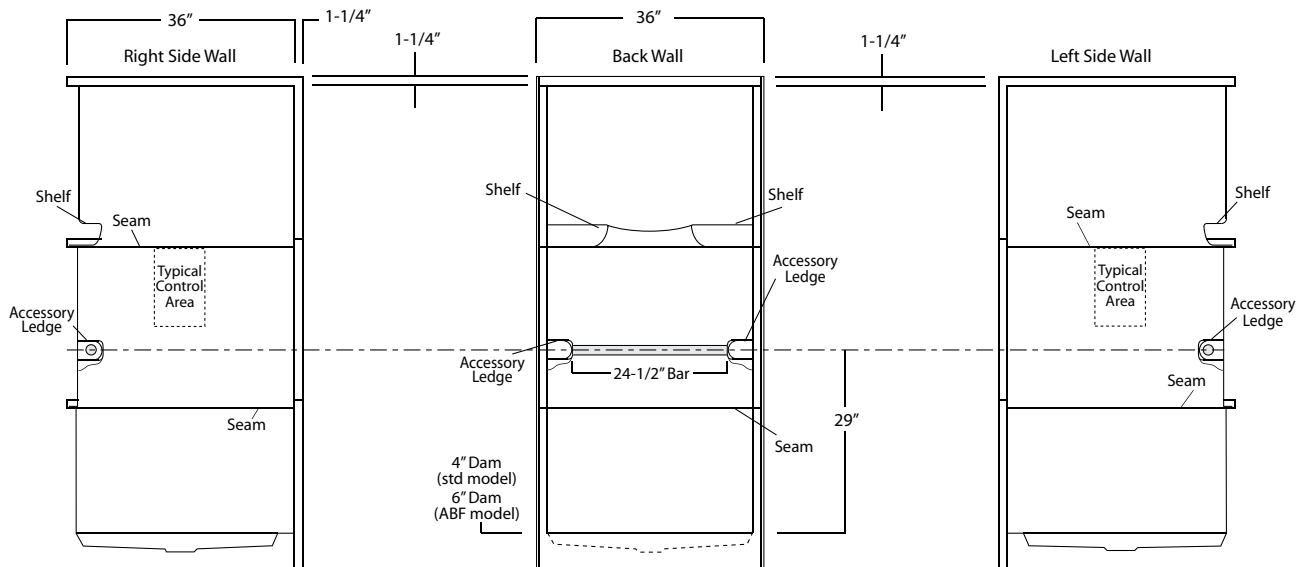
Package Order No.: BP2-(R or L) (3-bar only package)
Upgrade Package No.: BP2-(R or L) WHT (1-1/4" dia., white powder coat, 3-bar only package)
 BP2-(R or L) OFW (1-1/4" dia., off-white powder coat, 3-bar only package)
 BP2-(R or L) SNK (1-1/4" dia., satin nickel, 3-bar only package)

Package Includes: Factory installed, 1-1/2" dia. stainless steel, 3-bar package with basic reinforcement for components (as shown).
 NOTE: Enhanced reinforcement available, see 3SM & 3SF packages.
 NOTE: "R or L" designates RH or LH control wall (BP2-L illustrated).



Package Order No.: BP5 (3-bar only package)
Upgrade Package No.: BP5 WHT (1-1/4" dia., white powder coat, 3-bar only package)
 BP5 OFW (1-1/4" dia., off-white powder coat, 3-bar only package)
 BP5 SNK (1-1/4" dia., satin nickel, 3-bar only package)

Package Includes: Factory installed, 1-1/2" dia. stainless steel, single, back wall bar package (as shown).
 NOTE: Enhanced reinforcement available, see 3SM & 3SF packages.



Photographic images may include optional components and appear different than actual product.
 Dimensions shown are maximum. Due to the nature of the materials involved, actual unit dimensions can vary (tolerances: +0 / -3/8 inch).
 Oasis reserves the right to modify or discontinue product and/or associated equipment without prior written or verbal notification or obligation.