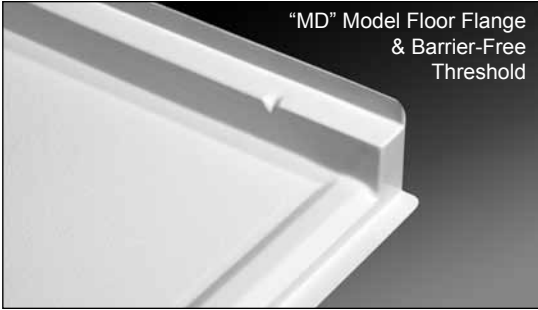


**MINIMAL DAM (MD)
SHOWER BASES**



MODELS

SB-MD-6032
SB-MD-6236

Rough-In Dimensions	SB-MD-6032	60" wide x 32" deep x 5-1/4" high
	SB-MD-6236	62" wide x 36" deep x 5-1/4" high

Finished Dimensions	SB-MD-6032	60" wide x 32" deep x 4" high
	SB-MD-6236	62" wide x 36" deep x 4" high

Unit Features

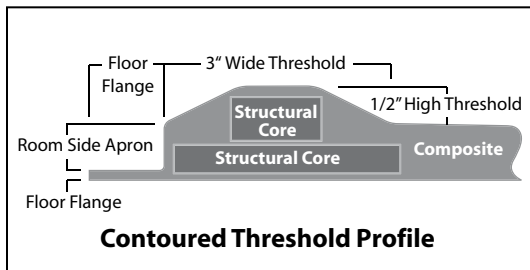
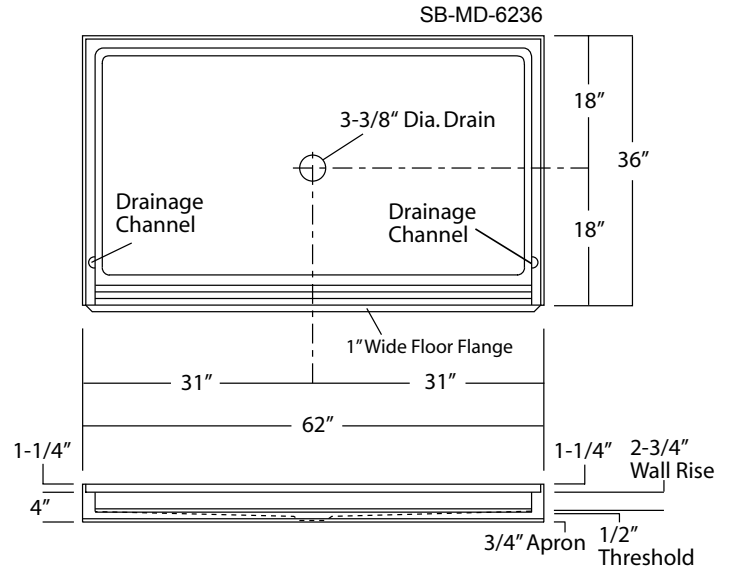
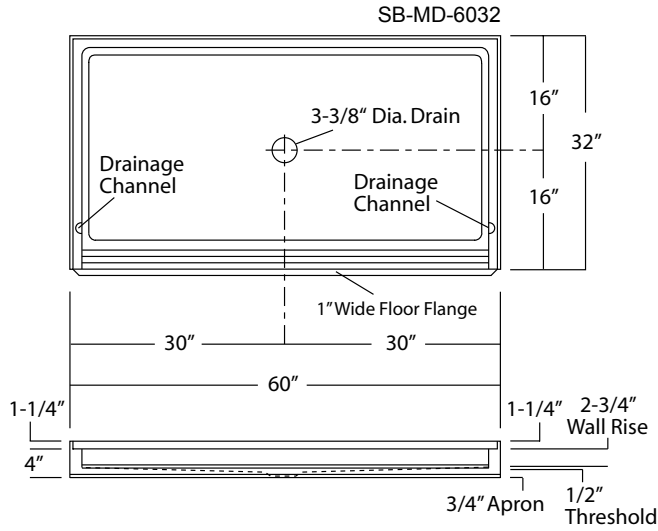
- One-Piece Fiberglass Composite Construction
- Sanitary Grade Polyester Gelcoat Surface
- 3-3/8" Center Drain (see reverse side for location)
- Integral Tile Flange
- Dual / Ledge Drain Channels
- 1/2" Threshold Aids In Keeping Water Within Unit
- Contoured Threshold To Aid Entry And Exit
- 1" Floor Flange To Secure Unit Along Threshold
- Textured Floor Pattern
- Balsa Wood Core Floor Structure

Special Notes

- Individually Packaged In Carton

Unit Order Number

Gelcoat: SB-MD-6032
SB-MD-6236



Photographic images may include optional components and appear different than actual product.
 Dimensions shown are maximum. Due to the nature of the materials involved, actual unit dimensions can vary (tolerances: +0 / -3/8 inch).
 Oasis reserves the right to modify or discontinue product and/or associated equipment without prior written or verbal notification or obligation.