

36-INCH TO 48-INCH SHOWER BASES



Oasis



MODELS

SB-3636
SP-4
SP-3
SB-4832
SP-2
SB-4836

Rough-In Dimensions	Model	Dimensions
	SB-3636	36" wide x 36" deep x 5-1/4" high
	SP-4	36" wide x 47-5/8" deep x 7-1/4" high
	SP-3	41-7/8" wide x 42-3/4" deep x 7-1/4" high
	SB-4832	48" wide x 32" deep x 5-1/4" high
	SP-2	48" wide x 35" deep x 7-1/4" high
	SB-4836	48" wide x 36" deep x 5-1/4" high

Finished Dimensions	Model	Dimensions
	SB-3636	36" wide x 36" deep x 4" high (std model)
	SP-4	36" wide x 47-5/8" deep x 6" high
	SP-3	41-7/8" wide x 41-1/2" deep x 6" high
	SB-4832	48" wide x 32" deep x 4" high (std model)
	SP-2	48" wide x 33-3/4" deep x 6" high
	SB-4836	48" wide x 36" deep x 4" high (std model)

Unit Features

- One-Piece Gelcoat Surface
- 3-3/8" Center Drain (see reverse side for location)
- Integral Tile Flange
- Balsa Wood Core Floor Structure
- Textured Floor Pattern

Special Notes

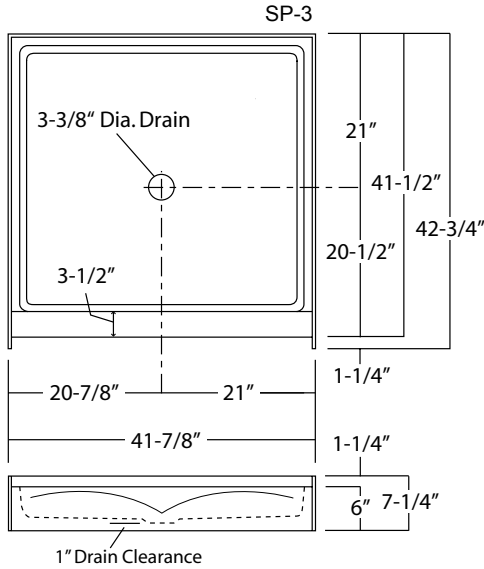
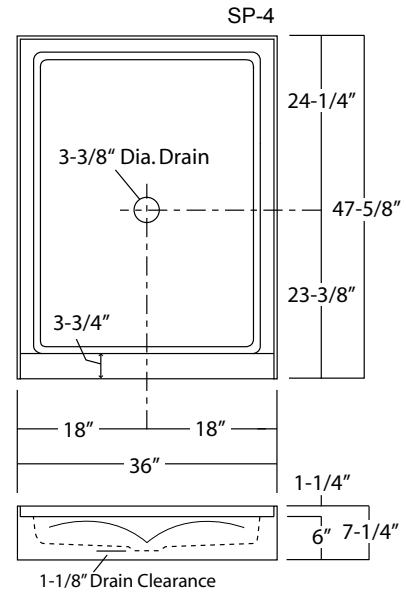
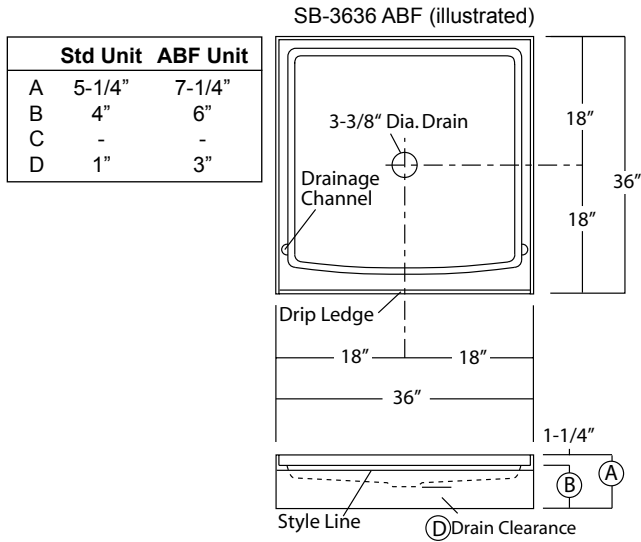
- ABF Models Provide 3" of Drain Clearance
- Individually Packaged In Cartons

Unit Order Number

Gelcoat: SB-3636
SB-3636 ABF
SP-4
SP-3

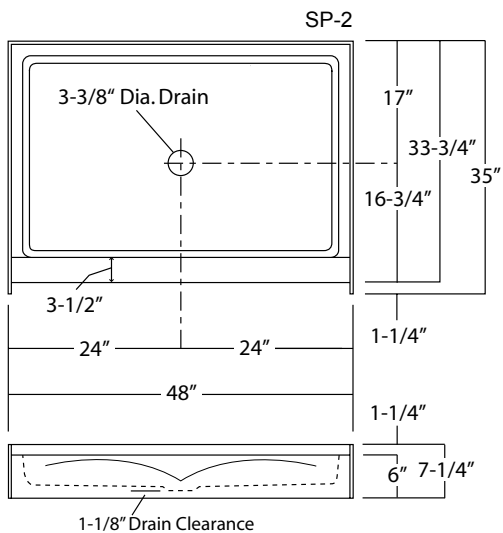
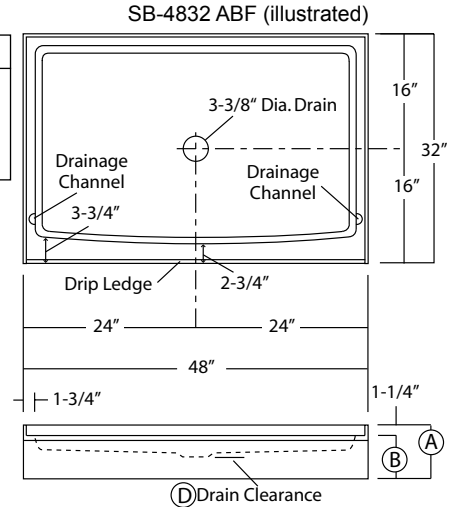
Unit Order Number

Gelcoat: SB-4832
SB-4832 ABF
SP-2
SB-4836
SB-4836 ABF



Std Unit	ABF Unit
A	5-1/4" 7-1/4"
B	4" 6"
C	- -
D	1" 3"

NOTE:
Critical enclosure dimensions should be taken directly from the installed shower base with finished wall surround.



Std Unit	ABF Unit
A	5-1/4" 7-1/4"
B	4" 6"
C	- -
D	1" 3"

