

PERIMETER-WALL SHOWER BASES



Oasis



MODELS

SP-MB-4R/L (Right or Left Seat)
SP-MB-6R (Right Seat, Left Drain)
SP-MB-6L (Left Seat, Right Drain)

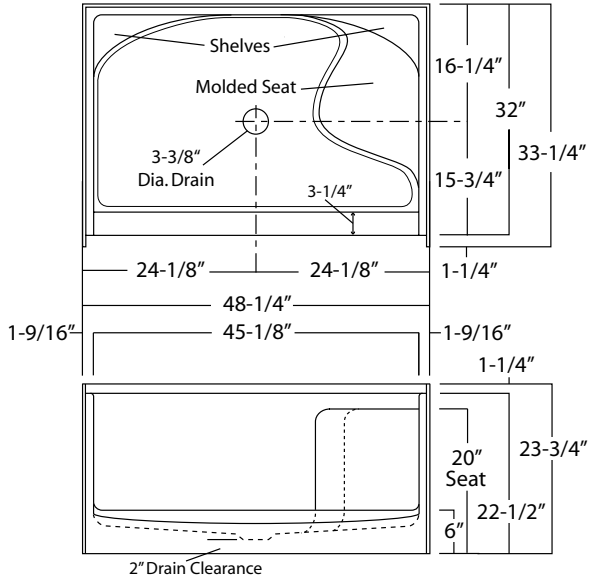
Rough-In Dimensions	SP-MB-4R/L	48-1/4" wide x 33-1/4" deep x 23-3/4" high
	SP-MB-6R/L	60" wide x 33-1/4" deep x 25-1/2" high
Finished Dimensions	SP-MB-4R/L	48-1/4" wide x 32" deep x 22-1/2" high
	SP-MB-6R/L	60" wide x 32" deep x 24-1/4" high

Unit Features	Special Notes
<ul style="list-style-type: none"> ● One-Piece Gelcoat Surface ● 3-3/8" Center or End Drain (see reverse side for location) ● Molded Seat (specific models) ● Integral Tile Flange ● Balsa Wood Core Floor Structure ● Textured Floor Pattern 	<ul style="list-style-type: none"> ■ Individually Packaged In Cartons

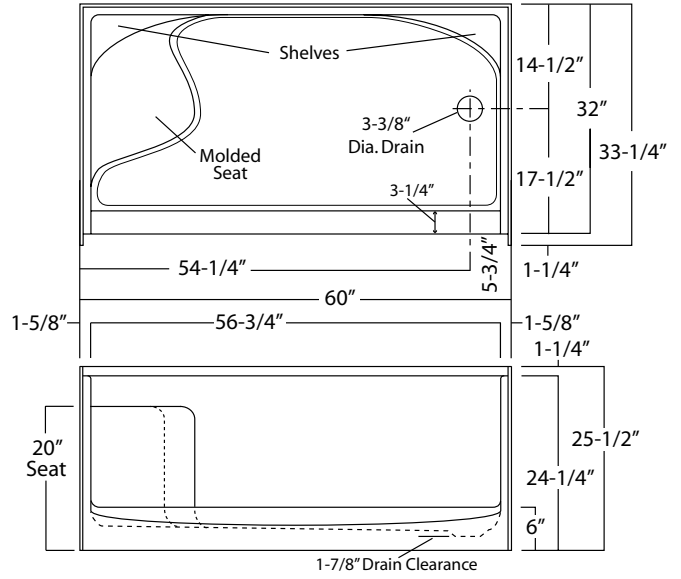
Unit Order Number

Gelcoat: SP-MB-4 R or L Seat
 SP-MB-6R (Right Seat, Left Drain)
 SP-MB-6L (Left Seat, Right Drain)

SP-MB-4R (illustrated)



SP-MB-6L (illustrated)



NOTE: Critical enclosure dimensions should be taken directly from the installed shower base with finished wall surround.