

DUAL THRESHOLD SHOWER BASES



Oasis



MODELS

SP-CB-3
SP-DT-3
SP-DT-4R/L

| | | |
|---------------------|------------|---|
| Rough-In Dimensions | SP-CB-3 | 37-1/4" deep x 37-1/4" deep x 7-1/4" high |
| | SP-DT-3 | 41-3/4" deep x 41-3/4" deep x 6-1/2" high |
| | SP-DT-4R/L | 49-1/4" deep x 33-1/4" deep x 7-1/4" high |

| | | |
|---------------------|------------|---|
| Finished Dimensions | SP-CB-3 | 36" deep x 36" deep x 6" high |
| | SP-DT-3 | 41-3/4" deep x 41-3/4" deep x 5-1/4" high |
| | SP-DT-4R/L | 48" deep x 32" deep x 6" high |

Unit Features

- One-Piece Gelcoat Surface
- 3-3/8" Center Drain (see reverse side for location)
- Integral Tile Flange
- Balsa Wood Core Floor Structure
- Textured Floor Pattern

Special Notes

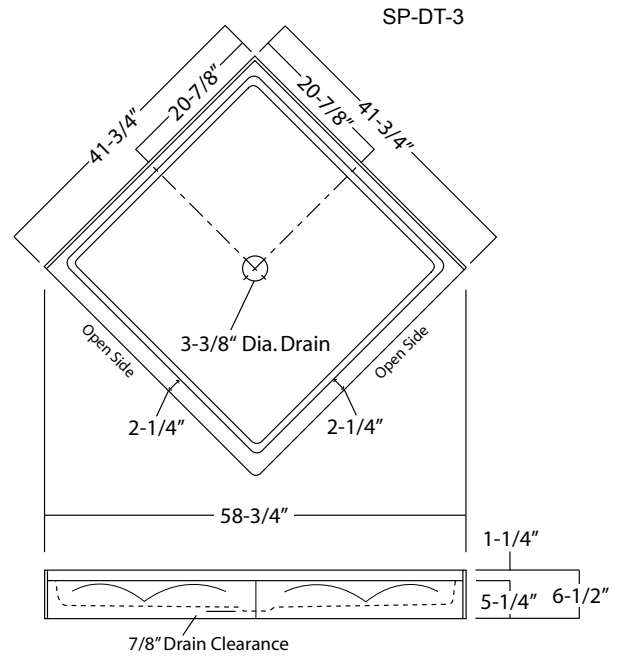
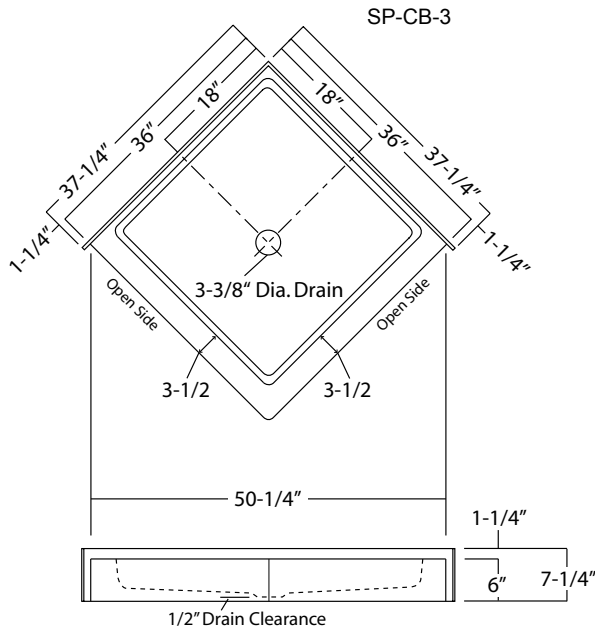
- Individually Packaged In Cartons

Unit Order Number

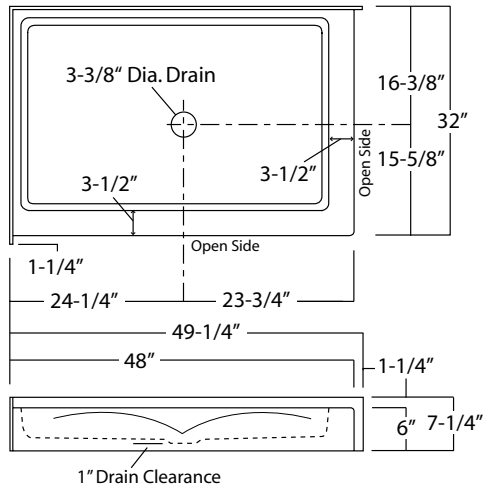
Gelcoat: SP-CB-3
SP-DT-3

Unit Order Number

Gelcoat: SP-DT-4R/L (designates open 32" side)



SP-DT-4R (designates 32" open side)



NOTE: Critical enclosure dimensions should be taken directly from the installed shower base with finished wall surround.