

4

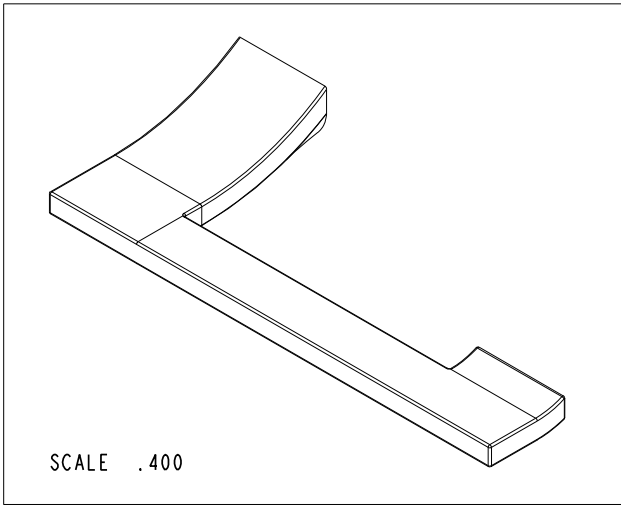
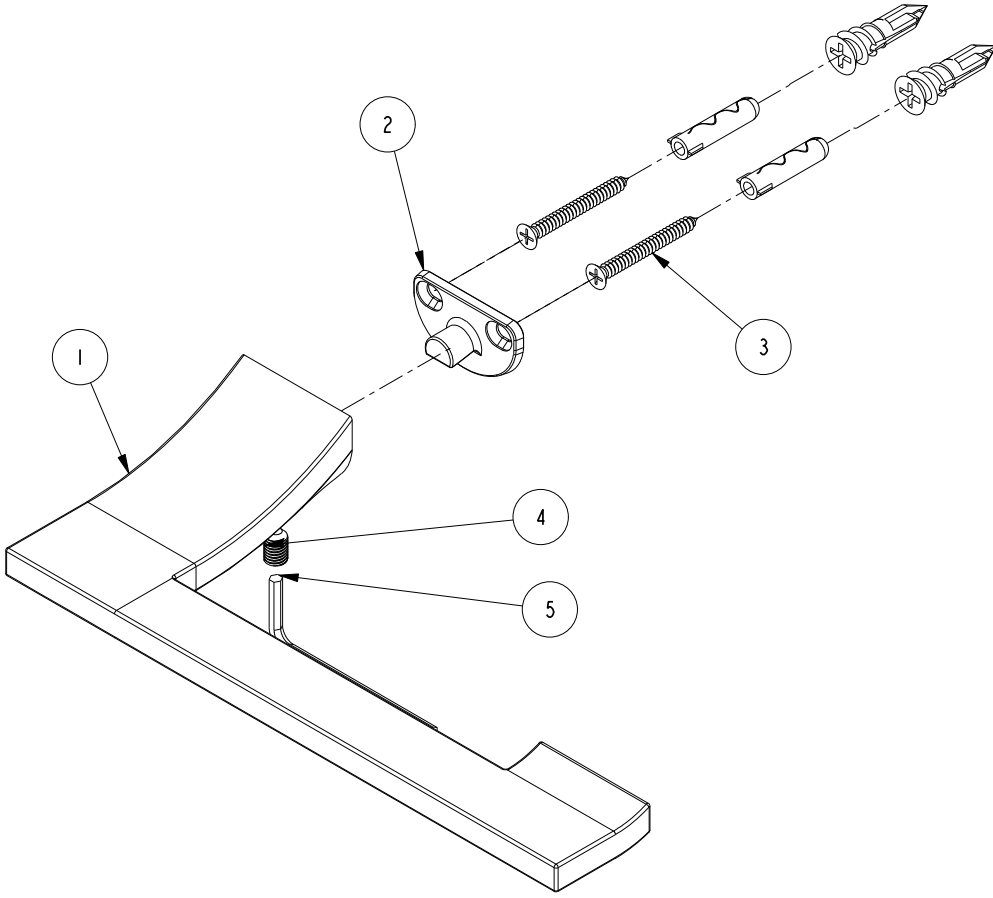
3

2

1

BILL OF MATERIAL (CURRENT LEVEL)

ITEM	PT/ASSY	DESCRIPTION	TYPE	QTY.
1	40418	OPEN TISSUE HOLDER POST	PART	1
2	92437	MOUNTING BRACKET	PART	1
3	1-206	HARDWARE PACK	ASSEMBLY	1
4	92495	SCRW, 1/4-28 x 3/8" CUP POINT SET SS (MMC # 92311A558)	PART	1
5	92422	HEX KEY, 1/8" ALLOY STEEL (MMC# 7122A18)	PART	1



COPYRIGHT 2005 BRASSTECH, INC. THESE DRAWINGS AND THE DESIGNS DEPICTED HEREIN ARE THE PROPRIETARY PROPERTY OF BRASSTECH. ANY USE OR REPRODUCTION IS SUBJECT TO THE EXPRESS APPROVAL OF BRASSTECH. UNAUTHORIZED USE IS STRICTLY PROHIBITED. ALL RIGHTS RESERVED.

BRASSTECH
 INCORPORATED
 2001 E. CARNEGIE AVE.
 SANTA ANA, CA 92705
 (949) 417-5207

TISSUE HOLDER

ASSY. NO. 37-27		A	EN-1718	04/04/11
SCALE .500	REF. -	-	EN-1294	11/09/10
SHEET 1 OF 2	REV	REV DESC	DATE	

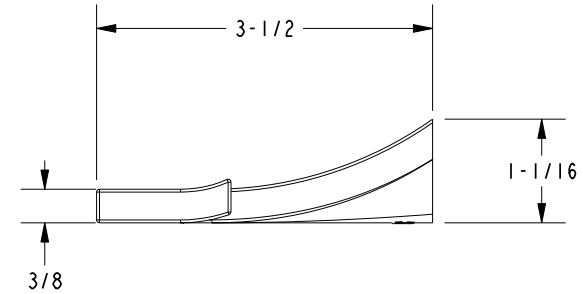
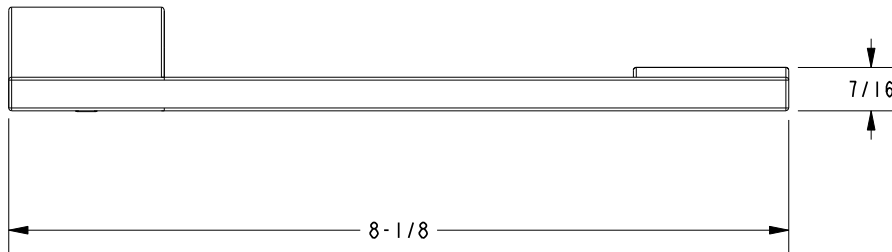
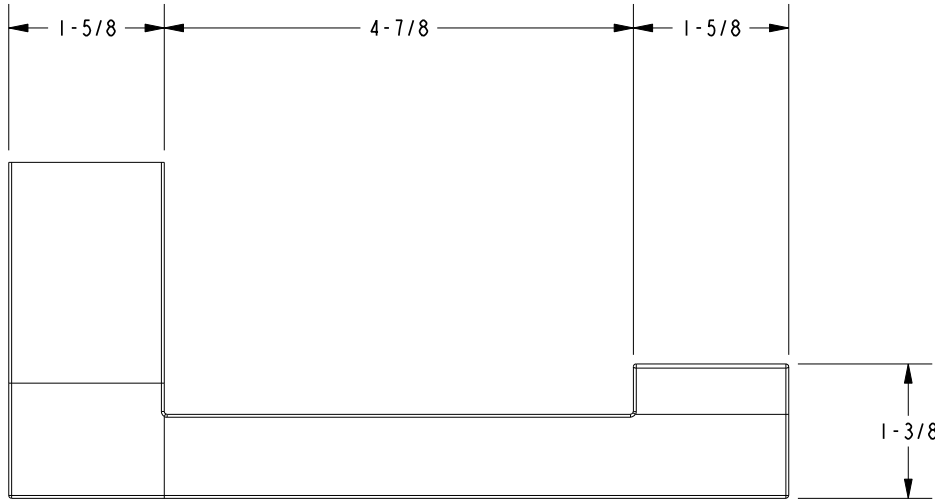
4

3

2

1

SPECIFICATION DWG



DIMENSIONS ARE IN INCHES AND AN APPROXIMATION OF A TYPICAL INSTALLATION

COPYRIGHT 2005 BRASSTECH, INC. THESE DRAWINGS AND THE DESIGNS DEPICTED HEREIN ARE THE PROPRIETARY PROPERTY OF BRASSTECH. ANY USE OR REPRODUCTION IS SUBJECT TO THE EXPRESS APPROVAL OF BRASSTECH. UNAUTHORIZED USE IS STRICTLY PROHIBITED. ALL RIGHTS RESERVED.

BRASSTECH		2001 E. CARNEGIE AVE.	
INCORPORATED		SANTA ANA, CA 92705	
		(949) 417-5207	
DWG NO.	37-27	REF.	REV A
SCALE	.500	SHEET	2 OF 2