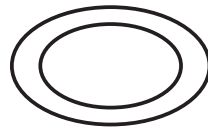
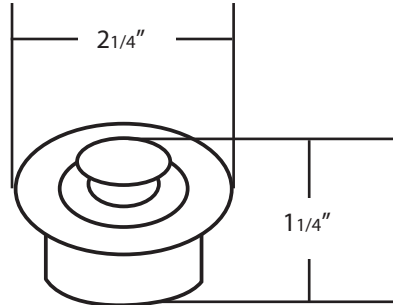
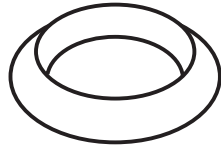


SPECIFICATIONS

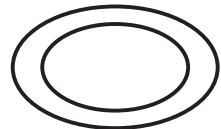
1.5" Lift & Turn Drain



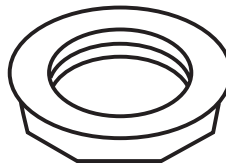
Rubber seal



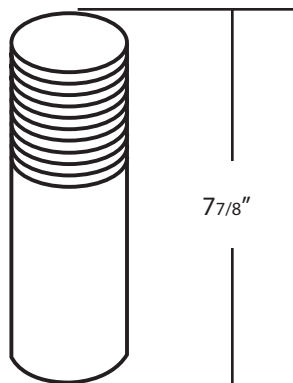
Rubber seal



Plastic washer



Metal nut



DR160- BN (Brushed Nickel)
 DR160-ORB (Oil Rubbed Bronze)
 DR160-WC (Weathered Copper)

PRODUCT DETAILS

- * Fits 1.5" drain opening
- * Maximum threading for easy installation
- * Features a forged brass nut and heavy 17 gauge tube
- * All exposed parts are plated
- * Overall length when assembled is 8 3/4"

COORDINATING PRODUCTS

- * Any Native Trails lavatory basin