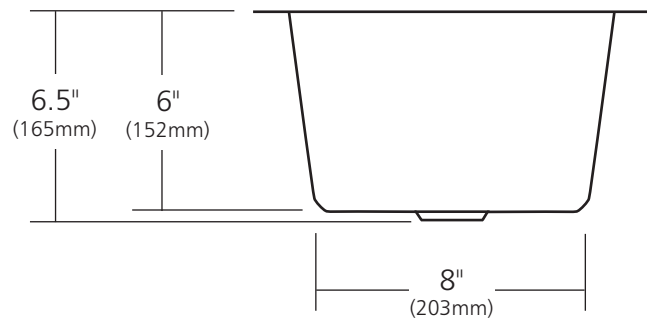
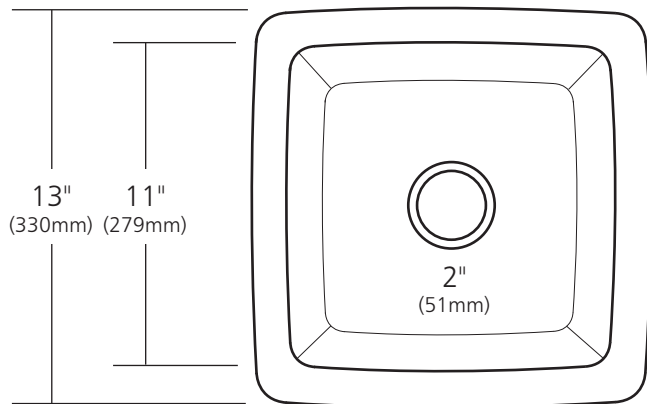


SPECIFICATIONS

**RINCON**



CPS247- Antique  
CPS547- Brushed Nickel

**PRODUCT DETAILS**

- 13" x 13" x 6.5" OD (330mm x 330mm x 165mm)
- 11" x 11" x 6" ID (279mm x 279mm x 152mm)
- Hand hammered 16 gauge recycled copper
- 2" (51mm) drain opening
- Dimensions are not exact and may vary  $\pm 1/2"$  (13mm)

*This product may be customized.  
See [nativetrails.net/customization](http://nativetrails.net/customization) for details.*

**INSTALLATION**

- Undermount

**COORDINATING PRODUCTS**

- Drains: DR220

**STANDARDS COMPLIANCE**

- UPC/cUPC compliant

**IMPORTANT**

Due to the handcrafted nature of this product, it will vary in finish, texture, hammering, and other details. Dimensions may vary up to  $1/2"$  (13mm). We strongly recommend waiting for the actual product before making any installation cuts.