

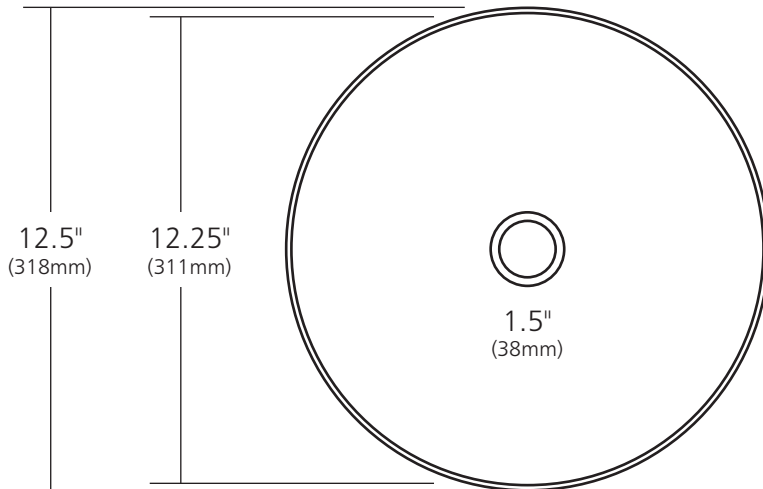
SPECIFICATIONS

MAESTRO PETIT

Maestro Collection



CPS266- Antique
 CPS366- Tempered
 CPS566- Brushed Nickel



PRODUCT DETAILS

- 12.5" x 5.75" OD (318mm x 146mm)
- 12.25" x 5.5" ID (311mm x 140mm)
- Hand hammered 15 gauge recycled copper
- 1.5" (38mm) drain opening
- Dimensions are not exact and may vary $\pm 1/2"$ (13mm)

*This product may be customized.
 See nativetrails.net/customization for details.*

INSTALLATION

- Vessel

COORDINATING PRODUCTS

- Drains: DR120, DR150 or DR160

STANDARDS COMPLIANCE

- UPC/cUPC compliant

IMPORTANT

Due to the handcrafted nature of this product, it will vary in finish, texture, hammering, and other details. Dimensions may vary up to 1/2" (13mm). We strongly recommend waiting for the actual product before making any installation cuts.

