

# MT670 mountain chill<sup>®</sup>

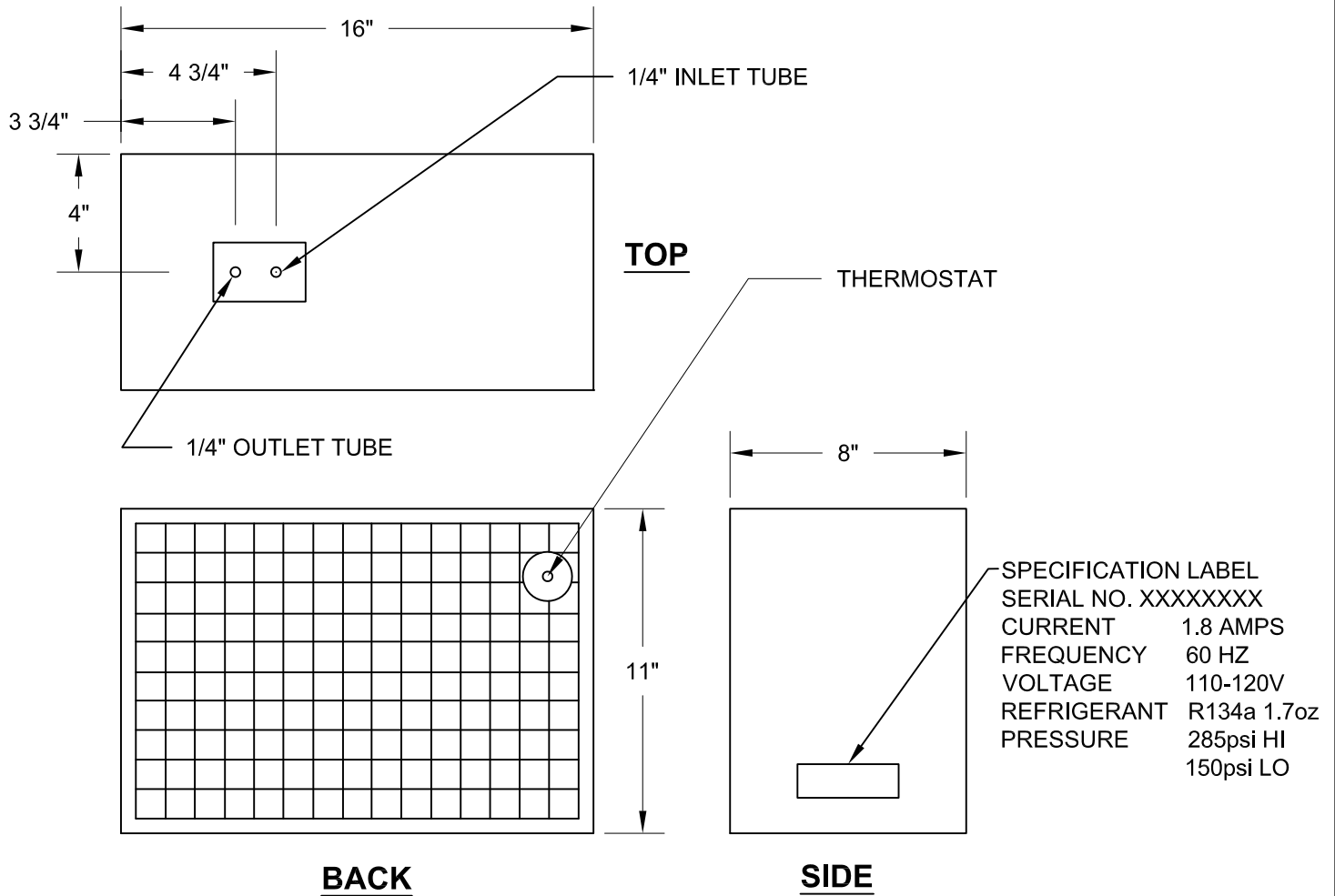
## WATER CHILLER

## SPECIFICATION SHEET



THIS CHILLER OFFERS THE FOLLOWING FEATURES AND BENEFITS:

- WHISPER QUIET OPERATION
- 1.5 GALLON OF CHILLED WATER PER HR
- 1/2 GALLON SS STORAGE TANK
- 3 YEAR COMPRESSOR WARRANTY 1 YEAR ALL OTHER PARTS
- 41-50°F\* WATER SUPPLIED
- 15 TO 100 PSI MAX WATER PRESSURE
- GALVALUME OUTER COVER



\* TESTED UNDER CONTROLLED CONDITIONS. GEOGRAPHIC LOCATION, INLET WATER TEMPERATURE, AMBIENT TEMPERATURE, INLET WATER SUPPLY FLOW AND PRESSURE WILL ALL AFFECT PERFORMANCE. ACTUAL TEMPERATURES WILL VARY AND MAY NOT BE POSSIBLE TO DUPLICATE.

## **MT670**



### **The “Mountain Chill”® Water Chiller**

#### **Description**

The Mountain Chill® Water Chiller delivers up to 24 cups of 41° – 50° F water per hour. It has a large 1/2 gallon polished hygienic stainless steel tank. The compressor is ultra quiet and has a 3 year warranty. The “Mountain Chill”® Water Chiller is a perfect fit to give you chilled water at your fingertips. For use with Mountain Point of Use and Instant Hot & Cold Faucets

#### **Features**

- Delivers 24 cups of 41° – 50° F water per hour
- 1/2 Gallon Polished Hygienic Stainless Steel Tank
- Ultra Quiet Compressor
- 3 Year Compressor Warranty