



MT1401
"The Little Gourmet®"
Hot & Cold Water Dispenser
INSTALLATION DIMENSIONS

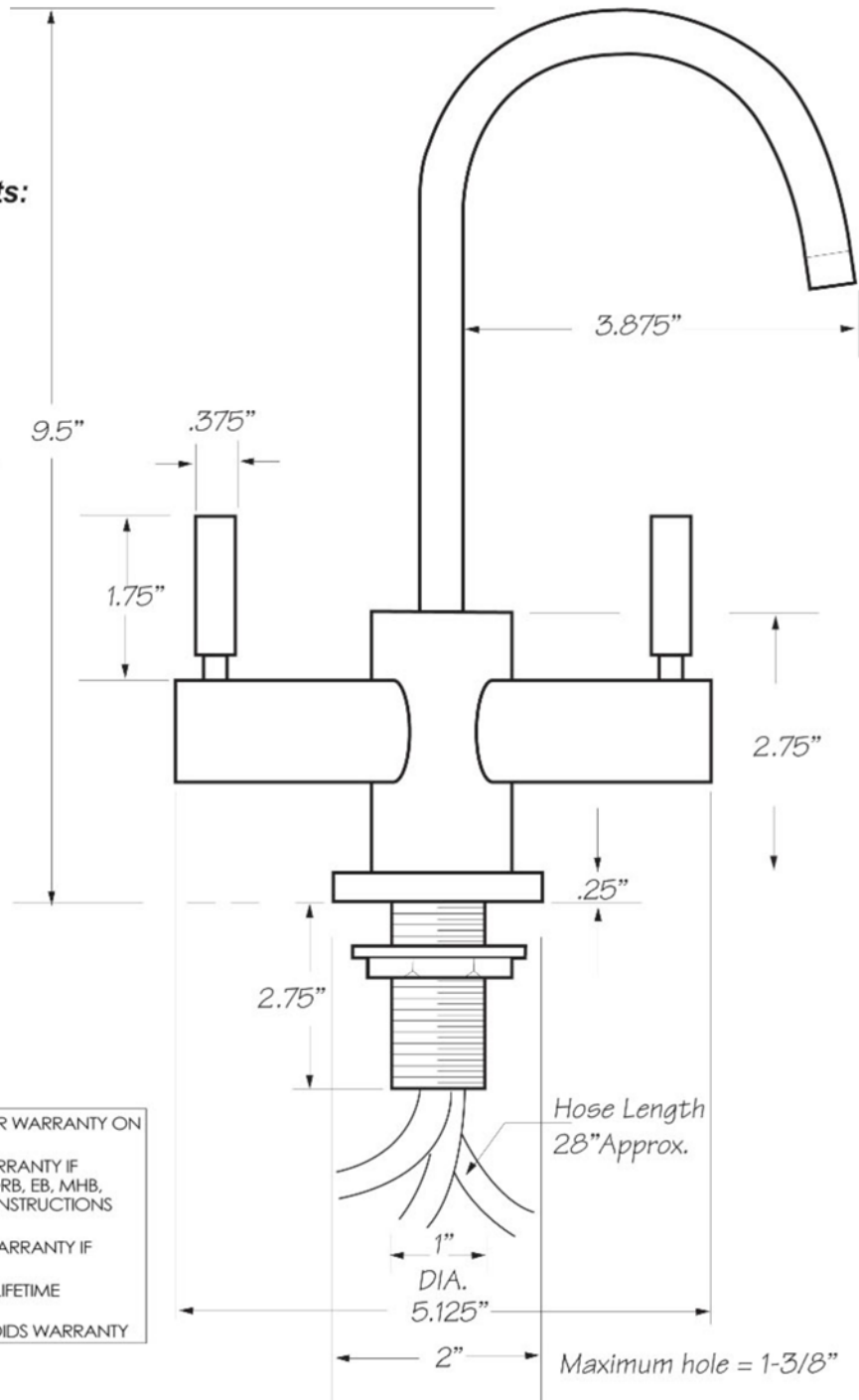
This model offers you the following features & benefits:

- All brass body
- Insulated spout for safety
- Self closing spring-loaded hot valve to protect from accidental burns to your family
- Contemporary styling
- Available in 6 finishes
 - CPB - Polished Chrome
 - PN - Polished Nickel
 - BRN - Brushed Nickel
 - PVD - PVD Brass
 - ORB - Oil Rubbed Bronze
 - SS - Stainless Steel
- To be used with a Mountain Heating Tank only



Warranty

*ALL MOUNTAIN PRODUCTS CARRY A 1 YEAR WARRANTY ON ALL WORKING PARTS.(except disposers)
 *MOST SPECIAL FINISHES HAVE A 1 YEAR WARRANTY IF INSTRUCTIONS ARE FOLLOWED PROPERLY. ORB, EB, MHB, WCP, AND TB HAVE A 90 DAY WARRANTY IF INSTRUCTIONS ARE FOLLOWED PROPERLY.
 *ALL PVD FINISHES COME WITH A LIFETIME WARRANTY IF INSTRUCTIONS ARE FOLLOWED PROPERLY
 *ALL XENYO COLORED PRODUCTS HAVE A LIFETIME WARRANTY
 *USE OF PLUMBERS PUTTY ON PRODUCTS VOIDS WARRANTY



Specifications subject to change without notice.