

# Kingsley® Technical Specification

## Grab Bar

## YG5400

### Stock Numbers:

- YG5412CH – 12” Grab Bar  
Chrome Finish
- YG5412BN – 12” Grab Bar  
Brushed Nickel Finish
- YG5412ORB – 12” Grab Bar  
Oil Rubbed Bronze
- YG5418CH – 18” Grab Bar  
Chrome Finish
- YG5418BN – 18” Grab Bar  
Brushed Nickel Finish
- YG5418ORB – 18” Grab Bar  
Oil Rubbed Bronze Finish
- YG5424CH – 24” Grab Bar  
Chrome Finish
- YG5424BN – 24” Grab Bar  
Brushed Nickel Finish
- YG5424ORB – 24” Grab Bar  
Oil Rubbed Bronze
- YG5430CH – 30” Grab Bar  
Chrome Finish
- YG5430BN – 30” Grab Bar  
Brushed Nickel Finish
- YG5436CH – 36” Grab Bar  
Chrome Finish
- YG5436BN – 36” Grab Bar  
Brushed Nickel Finish
- YG5442CH – 42” Grab Bar  
Chrome Finish
- YG5442BN – 42” Grab Bar  
Brushed Nickel Finish

### Materials:

Grab Bar posts and bars are stainless steel.

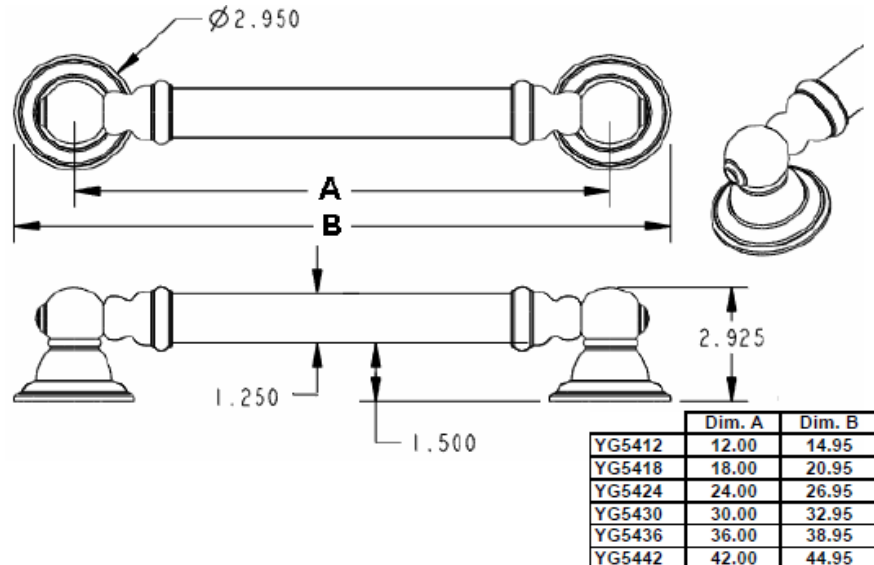
### Compliance:

CSI grab bars meet or exceed the applicable requirements of the following standards:

ANSI A117.1  
ASTM F446  
CSA B45  
CSA B651

Loaded Tested to withstand 300 lbs when securely installed per instructions. 12” long grab bars are intended for vertical installation only.

### Dimensions:



### Installation Instructions:

1. Please note that screws MUST be mounted into a wood stud for secure installation.
  2. Slide the end cover away from the hub end to expose the SecureMount™ mounting flange.
  3. Locate the studs behind the wall by using a stud sensor or other stud locating method. Studs are usually 16 in. apart; locate the center of each stud.
  4. Place the grab bar on the wall where desired so that the SecureMount™ mounting flange is positioned over a wood stud. Use a level to verify desired placement.
- Decide whether you would like to position your grab bar horizontally, vertically or at an angle, remembering that BOTH ends of the grab bar MUST be positioned over a wood stud.  
Note: Diagonal/angled installation is possible only with grab bars 24 in. or longer.
5. With a pencil, mark three of the mounting locations on each of the two grab bar flanges. Two marks to be made above the grab bar in the area indicated in the illustration, the third mark to be made below the grab bar in the area indicated in the illustration.

**To ensure proper installation, the SecureMount™ flange must have screws in each of the positions indicated in the illustration.**

6. Remove the grab bar from the wall and drill 1/8 in. diameter pilot holes at the marked screw locations. If desired, apply silicone caulk to the back of the decorative cover to guard against water penetration.
7. To mount the grab bar, reposition one end of the grab bar SecureMount™ mounting flange over the marked holes. **NOTE: THE MOUNTING FLANGE WILL ROTATE. ROTATE THE FLANGE SO THAT IT IS FLUSH AGAINST THE WALL AND THEN PROCEED WITH THE NEXT STEP.**
8. Using the screwdriver, screw the wood screws into the SecureMount™ mounting flange at one end of the grab bar. Then screw the wood screws into the mounting flange at the other end of the grab bar.
9. Tighten the screws until secure.
10. Slide the end cover over the SecureMount™ mounting flange, rotating to find the correct fit before snapping into place.

### Cleaning Instructions:

To preserve the fine finish of this product, clean only with a soft damp cloth. Dry well. Do not use commercial or abrasive cleaners.

Stock Number: \_\_\_\_\_ Tank Lever  
By Creative Specialties



25300 AL MOEN DRIVE • NORTH OLMSTED, OH 44070  
CORPORATE HEADQUARTERS: (800) 321-8809 • FAX: (800) 848-6636  
INTERNATIONAL: (440) 962-2000 • FAX: (440) 962-2726  
CUSTOMER SERVICE (USA): 800-882-0116 • FAX: (888) 379-2720  
WWW.MOEN.COM