



Buy it for looks. Buy it for life.®

# Specifications

## DESCRIPTION

- Metal and Plastic construction with chrome plated, Platinum, Glacier, Satine or LifeShine® Polished Brass finish
- 1/2" IPS connections
- Includes metal pop-up type waste assembly on 4000 series models
- Includes 50/50 pop-up type waste assembly on 80000 series models

## OPERATION

- Metallic lever style handles
- Maximum handle rotation angle is 90° to full on for either handle. Rotate Hot side, counterclockwise to open (clockwise to close). Rotate Cold side, clockwise to open (counterclockwise to close)
- Includes hot (red) and cold (blue) temperature indicators

## FLOW

- Aerator is limited to 2.2 gpm (8.3 L/min)

## CARTRIDGE

- 1224 cartridge design
- Nonmetallic and stainless steel material

## STANDARDS

- Third party certified to CSA B-125, ASME A112.18.1M, ANSI A117.1 and all applicable requirements referenced therein
- Certified to ANSI/NSF 61/9
- Complies with California Proposition 65 and with the Federal Safe Water Drinking Act

## WARRANTY

- Lifetime limited warranty against leaks, drips and finish defects to the original consumer purchaser
- 5 year warranty if used in commercial installations



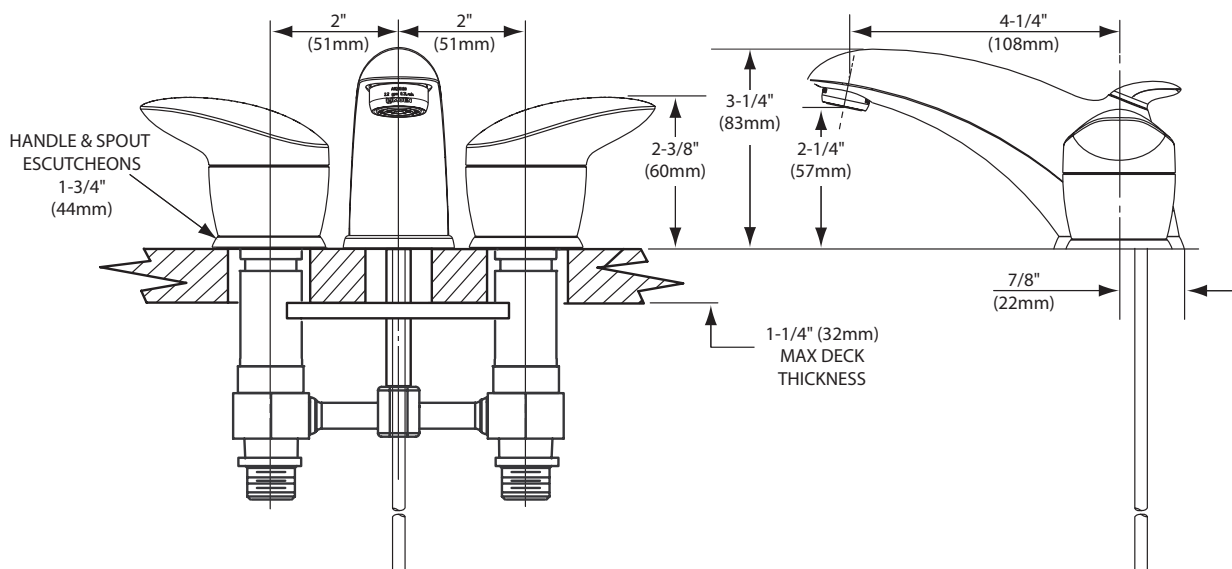
**Villeta™**  
**Two-Handle Lavatory Faucet**  
**with Metal Waste Assembly**

**Models:** TL4734, TL4734CP, TL4734P, TL4734PM, TL4734W, L84734, L84734CP, L84734PM

**Valve:** 9300, 69300

**Discontinued Models:** TL4734ST, L84734ST

**NOTE:** THIS FAUCET IS DESIGNED TO BE INSTALLED THRU 3 HOLES, 1-1/8" (29mm) MIN. DIA.



## CRITICAL DIMENSIONS

(DO NOT SCALE)