

DESCRIPTION

- Metal construction with chrome plated, Platinum, glacier or LifeShine® polished brass finish
- Pressure balancing valve design with or without integral check stops, 1/2" CC or IPS connections

OPERATION

- Metallic lever style handle with temperature indicator on the escutcheon, pull-on/push-off operation
- Temperature operates through a 180° arc of handle travel (full cold to full hot)
- Adjustable temperature limit stop to control maximum hot water temperature
- Pressure balancing mechanism maintains selected discharge temperature to $\pm 2^\circ$

CARTRIDGE

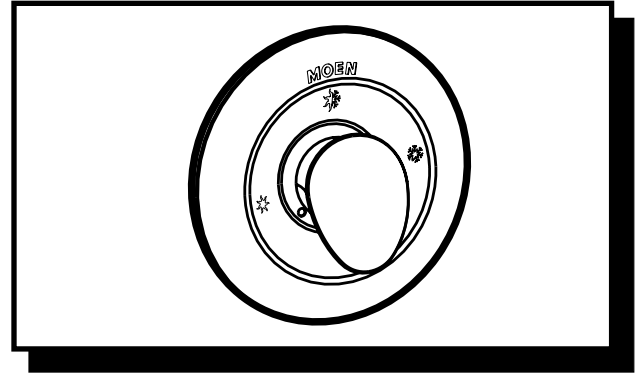
- 1225 cartridge design
- Nonmetallic/nonferrous and stainless steel materials
- Accommodates back to back installations

STANDARDS

- Third party certified by CSA to meet CSA B-125, ASME A112.18.1M and all applicable requirements referenced therein and complies with the applicable requirements of ANSI A117.1

WARRANTY

- Lifetime limited warranty against leaks, drips and finish defects to the original consumer purchaser
- 5 year warranty if used in commercial installations

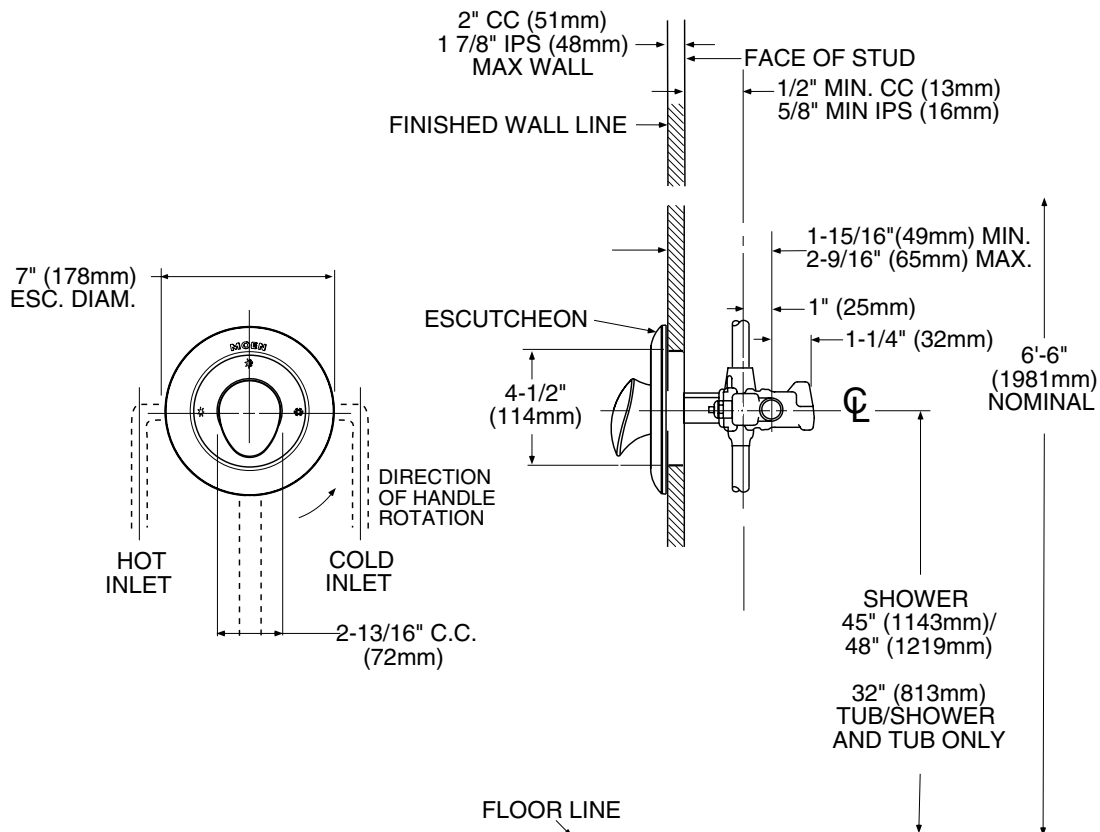


Villeta™ Moentrol®
Single-Handle Valve Only Trim

Models: TL3191, TL3191CP, TL3191PM, TL3191W, TL3191P

Valve: 3570, 63170, 3550, 63150

NOTE: See reverse side for illustrated parts



CRITICAL DIMENSIONS

(DO NOT SCALE)