

DESCRIPTION

- Chrome plated metal construction
- Pressure balancing cycle valve
- Contains: hand-held shower, 30" slide bar, drop ell, vacuum breaker, 69" metal hose and mounting hardware
- **Slide bar is NOT DESIGNED TO BE A GRAB BAR**
- Supplied with vandal resistant screws
- Quick cleaning rubber nozzles

OPERATION

- Temperature valve has ADA compliant lever style handle
- Handle operates counterclockwise through a 270° arc with off at 6 o'clock, and maximum hot at the 9 o'clock position. Shut off in clockwise direction
- Adjustable temperature limit stop
- Pressure balancing mechanism maintains selected discharge temperature to $\pm 3.6^\circ$
- Single function spray pattern
- Easy to operate pause button (reduces the flow of water to a trickle)

FLOW

- 1.5 gpm (5.7 L/min) MAX at 80 psi / 1.1 gpm (4.2 L/min) MIN at 45 psi hand-held shower head

CARTRIDGE

- 1222 or 1222HD cartridge design
- Accommodates back-to-back installations

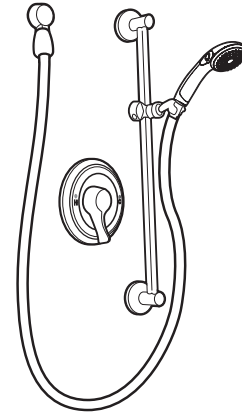
STANDARDS

- Third party certified to ASME A112.18.1/CSA B125.1 and all applicable requirements referenced therein

- **ADA** for lever handle

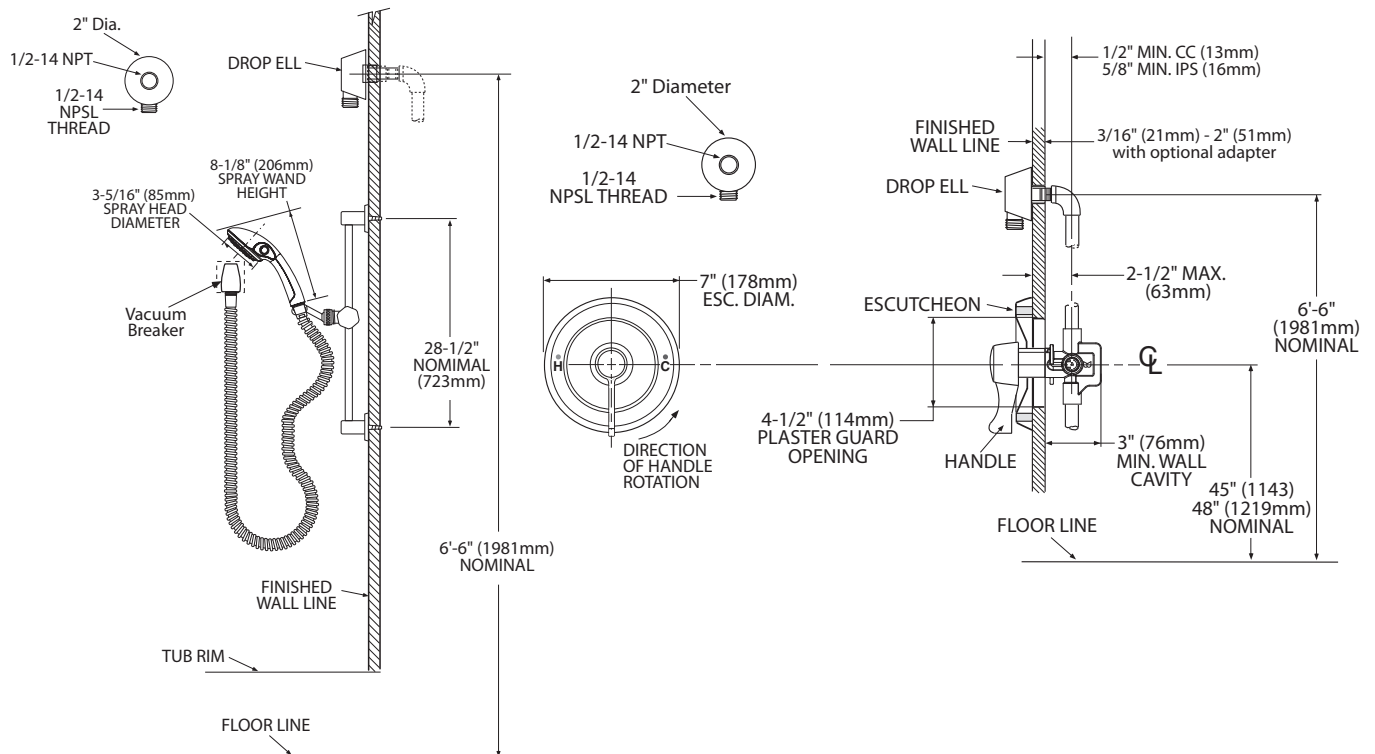
WARRANTY

- Warranted for 5 years against material or manufacturing defects



Single-Handle Posi-Temp Handheld Shower System

Model: T8346EP15



*Refer to (ADAAG) guidelines or local codes for proper ADA installation.

CRITICAL DIMENSIONS

(DO NOT SCALE)