



Buy it for looks. Buy it for life.®

Specifications

There is more than 1 version of this model.
Page down to identify the version you have.


DESCRIPTION

- Metal construction with various finishes identified by suffix

OPERATION

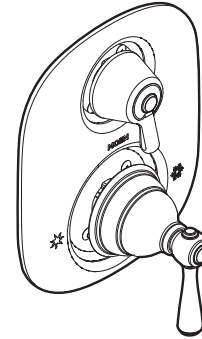
- Pull-on/push-off operation of temperature and volume, rotational control of transfer valve
- Temperature operates through an 180° arc of handle travel (full cold to full hot)
- Adjustable temperature limit stop to control maximum hot water temperature
- 180° rotation of transfer valve handle with stops
- Pressure balancing mechanism maintains selected discharge temperature to $\pm 2^\circ$

STANDARDS

- Third party certified to ASME A112.18.1/CSA B-125.1
- **ADA**  for lever handles

WARRANTY

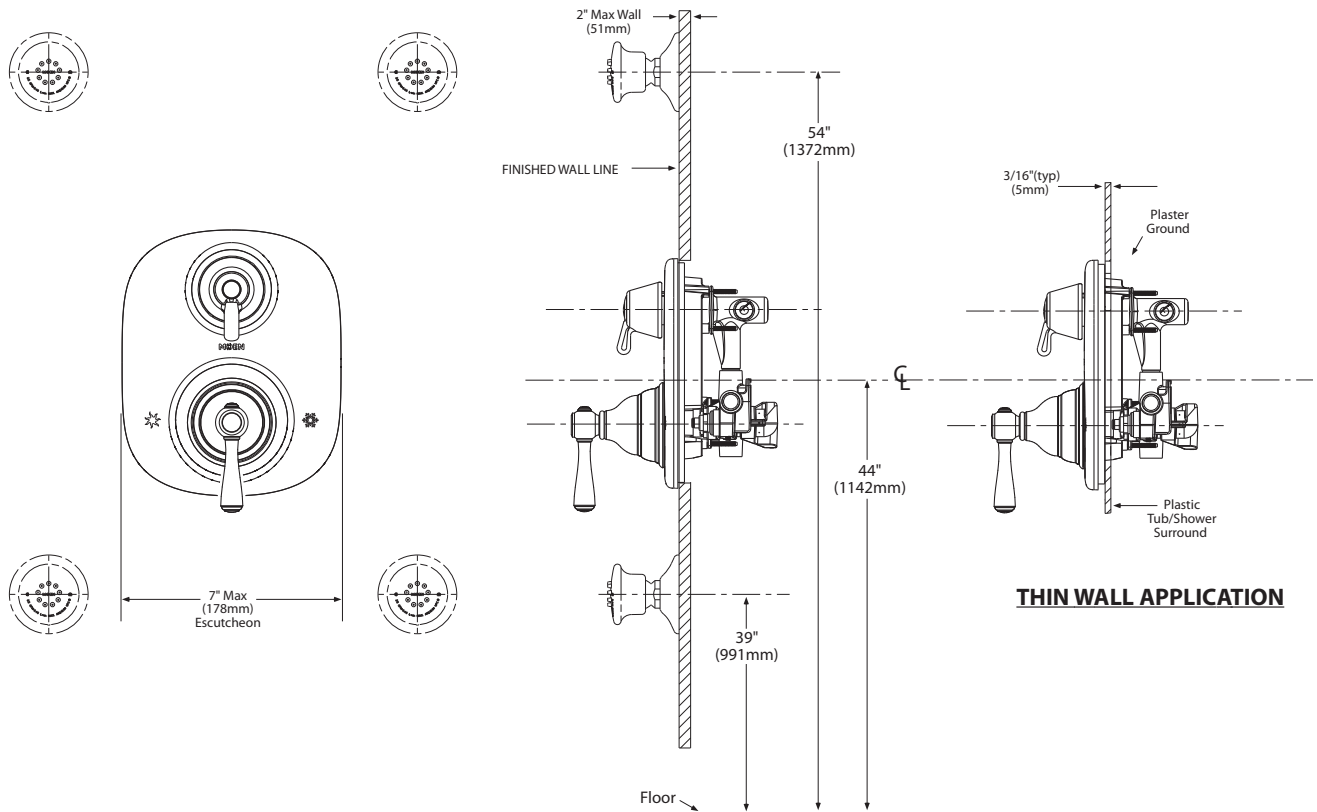
- Lifetime limited warranty against leaks, drips and finish defects to the original consumer purchaser
- 5 year warranty if used in commercial installations



KINGSLEY™ MOENTROL®
with Built-In 3 Function Transfer Valve Trim

Model: T4111 series

Discontinued Models: T4111CP, T4111P



THIN WALL APPLICATION

THICK WALL APPLICATION

CRITICAL DIMENSIONS

(DO NOT SCALE)



Buy it for looks. Buy it for life.®

Specifications

DESCRIPTION

- Metal construction with various finishes identified by suffix

OPERATION

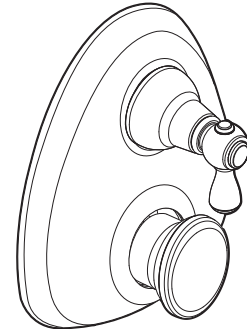
- Pull-on/push-off operation of temperature and volume, rotational control of transfer valve
- Temperature operates through an 180° arc of handle travel (full cold to full hot)
- Adjustable temperature limit stop to control maximum hot water temperature
- 180° rotation of transfer valve handle with stops
- Pressure balancing mechanism maintains selected discharge temperature to $\pm 2^\circ$

STANDARDS

- Third party certified to ASME A112.18.1/CSA B-125.1

WARRANTY

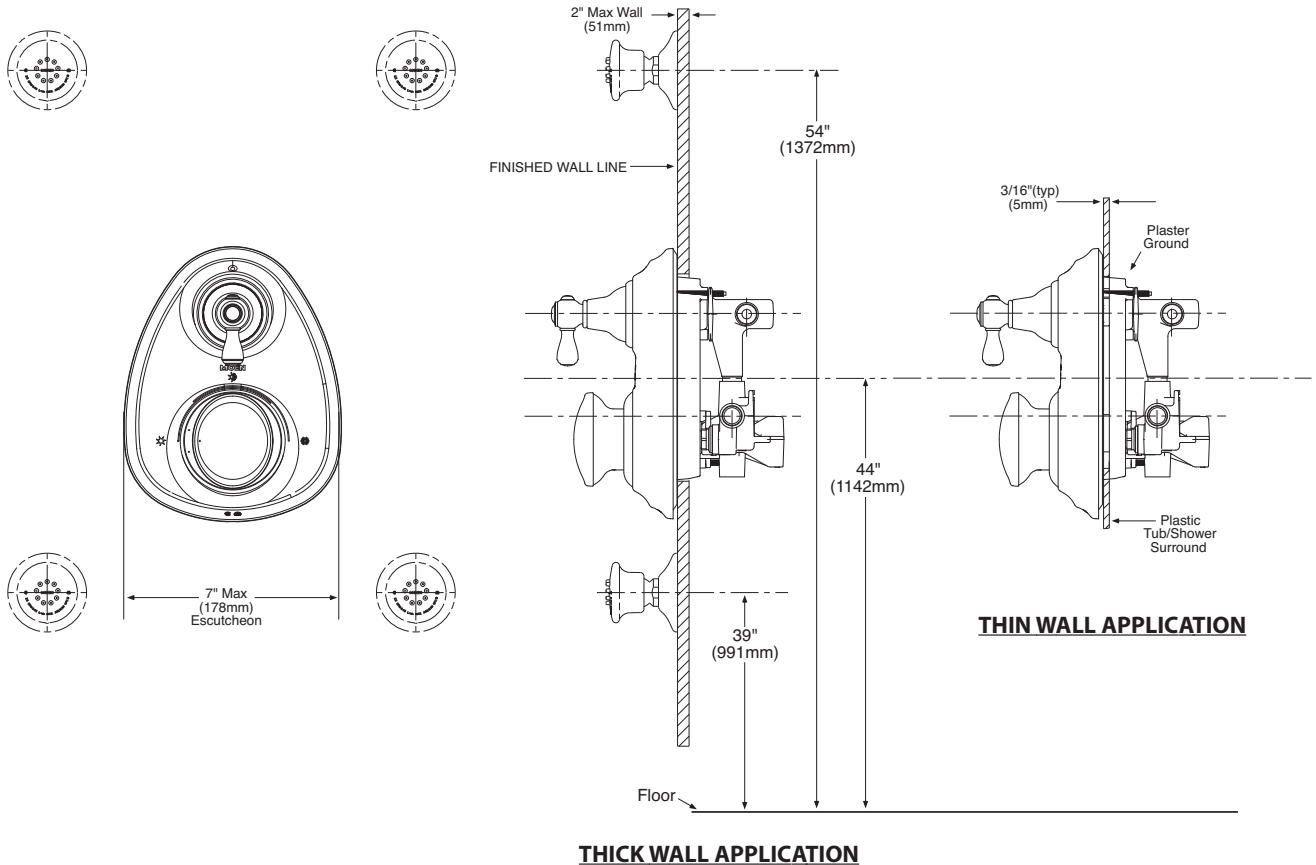
- Lifetime limited warranty against leaks, drips and finish defects to the original consumer purchaser
- 5 year warranty if used in commercial installations



KINGSLEY™ MOENTROL®
with Built-In 3 Function Transfer Valve Trim

Model: T4111 series

Discontinued Models: T4111CP, T4111P





Buy it for looks. Buy it for life.®

Specifications

DESCRIPTION

- Fixed mount showerhead only
- Nonmetallic spray face and shell
- Brass swivel ball assembly
- Available in Chrome, Lifeshine® Polished Brass, Platinum, Lifeshine® Satine™, Oil Rubbed Bronze, Wrought Iron, Antique Nickel, Lifeshine® Brushed Nickel, Pewter or Antique Bronze finish

FLOW

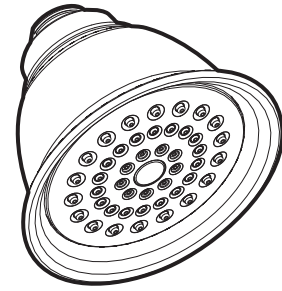
- Designed to deliver 2.5 gpm (9.5 L/min) at 60 psi

STANDARDS

- Designed and manufactured to comply with the requirements of: ASME A112.18.1/CSA B125.1 and all requirements referenced therein

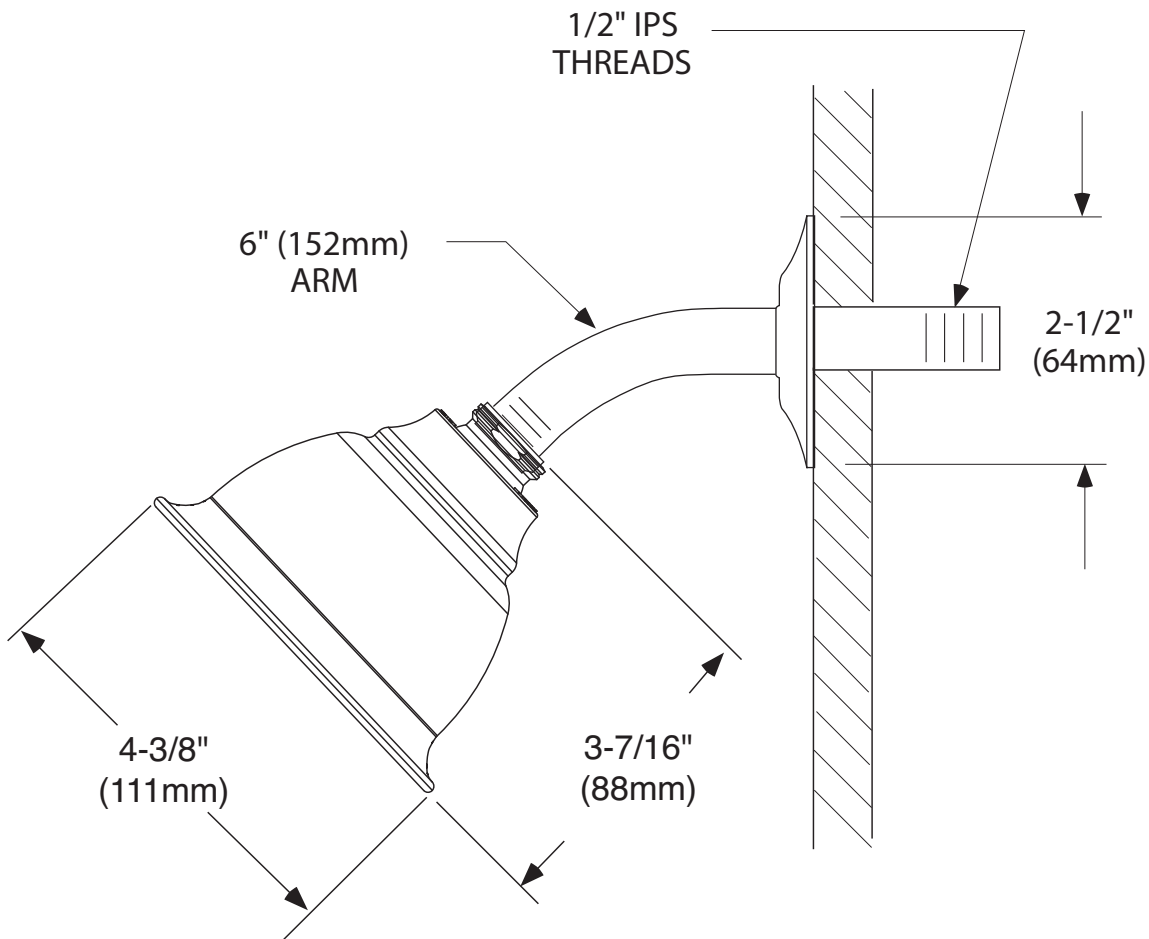
WARRANTY

- Lifetime limited warranty against leaks, drips and finish defects to the original consumer purchaser
- 5 year warranty if used in commercial installations



Moenflo® XL Single Function Showerhead

Models: 6302, 6302P, 6302PM, 6302ST, 6302ORB, 6302WR, 6302AN, 6302BN, 6302PW, 6302AZ



CRITICAL DIMENSIONS

(DO NOT SCALE)



Buy it for looks. Buy it for life.®

DESCRIPTION

- Metallic spray face and shell
- Brass swivel ball assembly
- Available in chrome plated, antique nickel, antique bronze, LifeShine® brushed bronze, LifeShine® brushed nickel, LifeShine® hammered nickel, nickel, oil rubbed bronze, LifeShine® polished brass, platinum, pewter or LifeShine® satine or wrought iron finishes

OPERATION

- Single spray function

FLOW

- Designed to deliver 1.75 gpm max (6.6 L/min) at 80 psi

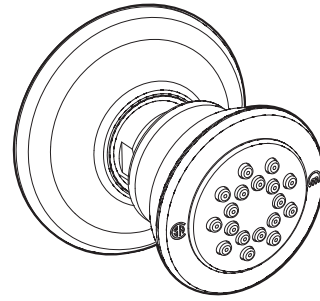
STANDARDS

- Third party certified to ASME A112.18.1/CSA B125.1 and all applicable requirements referenced therein

WARRANTY

- Warranted for one year against material or manufacturing defects

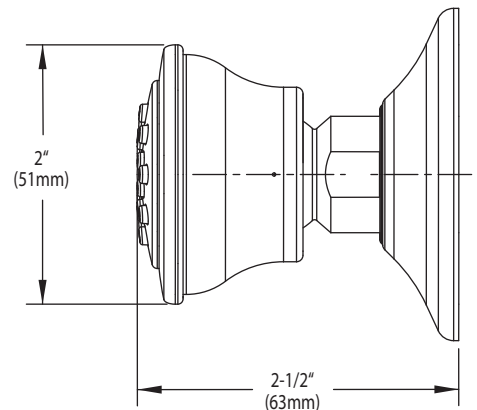
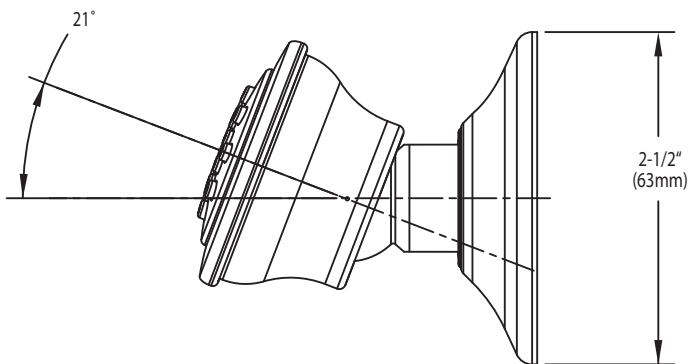
Specifications



Small Single Function Body Spray

Models: A501, A501AN, A501AZ, A501BB, A501BN, A501HN, A501NL, A501ORB, A501P, A501PM, A501PW, A501ST, A501WR

A501 Series



CRITICAL DIMENSIONS

(DO NOT SCALE)