



Buy it for looks. Buy it for life.®

# Specifications

## DESCRIPTION

- Handheld shower available in various finishes identified by suffix
- 69" double interlock spiral hose (metal)
- Vacuum breaker
- Adjustable wall bracket

## OPERATION

- Single function
- Wall bracket rotates to adjust angle of hand shower

## FLOW

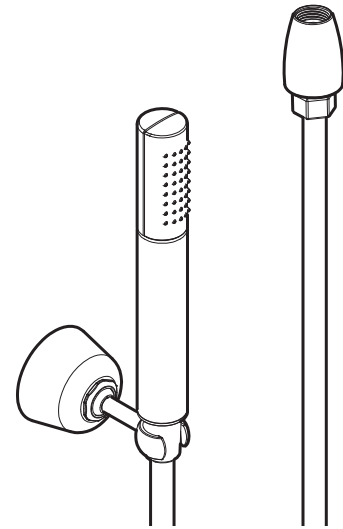
- Designed to deliver 2.5 gpm (9.5 L/min) at 80 psi
- EP suffix models are limited to 1.75 gpm (6.7 L/min) at 80 psi

## STANDARDS

- Designed and manufactured to comply with the applicable requirements of CSA B-125.1, ASME A112.18.1 and ASSE 1014 and all applicable specifications referenced therein
- EP suffix models are IAPMO Green listed

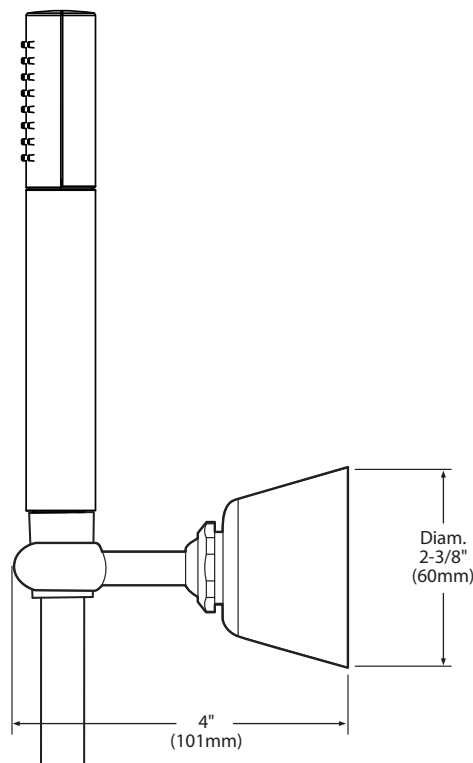
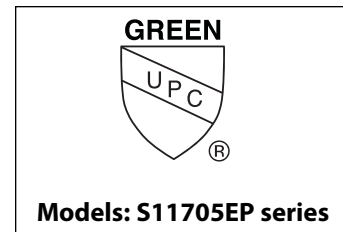
## WARRANTY

- Lifetime limited warranty against material or manufacturing defects



## Handshower with Bracket & Hose

**Model:** S11705 series



## CRITICAL DIMENSIONS

(DO NOT SCALE)