

FAUCET DESCRIPTION

- Chrome plated brass construction
- Metering faucet designed to deliver either tempered or ambient water.
- Vandal resistant
- Optional 4" deck plate available, purchased separately see model number 99457

OPERATION

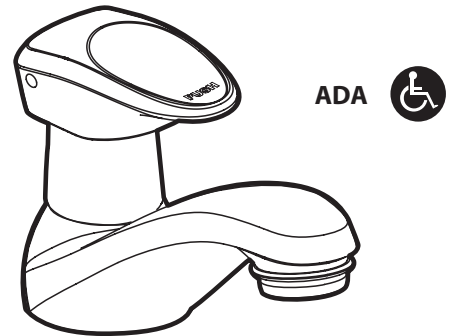
- ADA compliant lever style handle
- Metering mechanism is adjustable, to allow the installer to compensate for supply line pressures of 20 to 80 psi
- Cycle time easily adjusted from 10 to 60 seconds
- Factory preset to automatically shut off after 10 seconds at 80 psi
- 1/2" IPS supply shanks

FLOW

- Vandal resistant aerator limits water discharge to a maximum of .25 gpc (.95 L/cycle)

CARTRIDGE

- 16352 cartridge design
- Nonmetallic and nonferrous material
- Self contained metering mechanism which is separate from the potable water supply



Single-Handle ADA Metering Lavatory Faucet

Model: 8884 (Chrome)

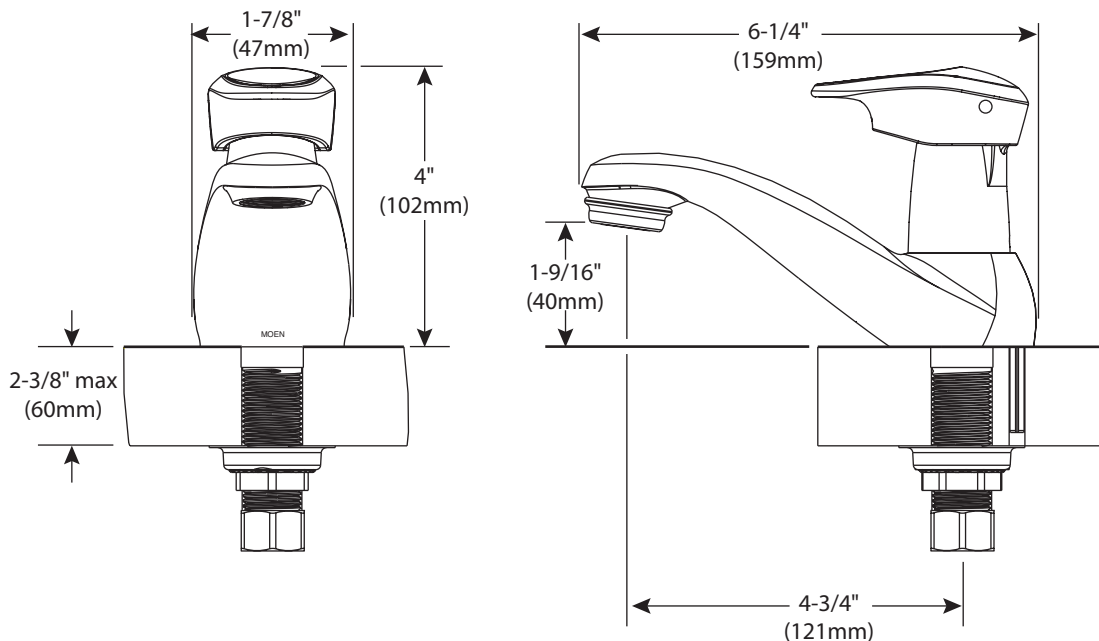
NOTE: DESIGNED TO BE INSTALLED THROUGH 1 HOLE 7/8" MIN. DIA.

STANDARDS

- Third party certified to ASME A112.18.1/CSA B125.1 and all applicable specifications referenced therein and complies with the applicable requirements of ICC-A117.1

WARRANTY

- Warranted for 5 years against material or manufacturing defects



CRITICAL DIMENSIONS

(DO NOT SCALE)