

DESCRIPTION

- Red/Blue temperature markings on handle
- Chrome plated metal construction
- 1/2" IPS connections

OPERATION

- Pivot action lever style handle
- Temperature controlled through 180° degree arc of handle travel
- Adjustable temperature limit stop to control maximum hot water temperature

FLOW

- Vandal proof aerator is limited to 0.5 gpm max (1.94 L/min)

CARTRIDGE

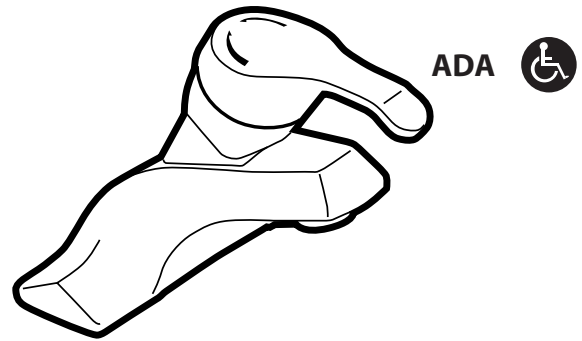
- 1225 cartridge design
- Nonmetallic/nonferrous and stainless steel material

STANDARDS

- Third party certified to: CSA B-125, ASME A112.18.1M, ANSI A117.1 and all applicable requirements referenced therein
- Certified to ANSI/NSF 61/9
- Complies with California Proposition 65 and with the Federal Safe Water Drinking Act

WARRANTY

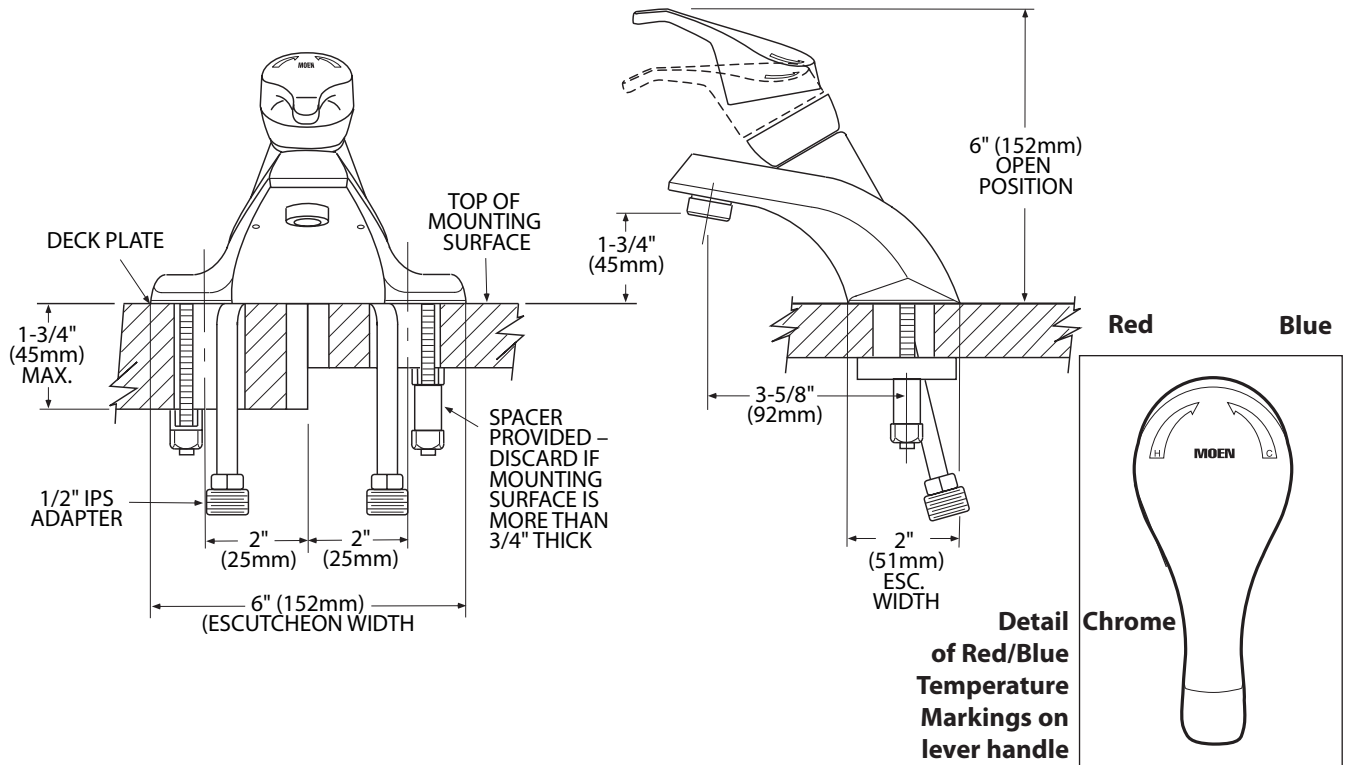
- Lifetime limited warranty against leaks, drips and finish defects to the original consumer purchaser
- 5 year warranty if used in commercial installations



Single-Handle Lavatory Faucet with Adjustable Temperature Limit Stop

Model: 8433

NOTE: THIS FAUCET IS DESIGNED TO BE INSTALLED THRU 3-1" DIA. HOLES, 2" ON CENTER



CRITICAL DIMENSIONS

(DO NOT SCALE)