

FAUCET DESCRIPTION

- Chrome plated brass and metal construction
- Pressure balancing valve design with integral check stops
- 1/2" CC connections
- Supplied with vandal resistant screws

OPERATION

- Lever style handle with temperature indicator on the escutcheon
- Pull-on/push-off operation
- Temperature operates through an 180° arc of handle travel (full cold to full hot)
- Adjustable temperature limit stop to limit the handle travel in the HOT direction
- Pressure balancing mechanism maintains selected discharge temperature to $\pm 2^\circ$.

CARTRIDGE

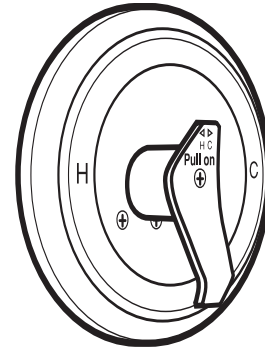
- 1225 cartridge design
- Nonmetallic/nonferrous and stainless steel materials
- Accommodates back to back installations

STANDARDS

- Third party certified by CSA to meet CSA B-125 and ASME A112.18.1M and all applicable specifications referenced therein and complies with the applicable requirements of ANSI A117.1

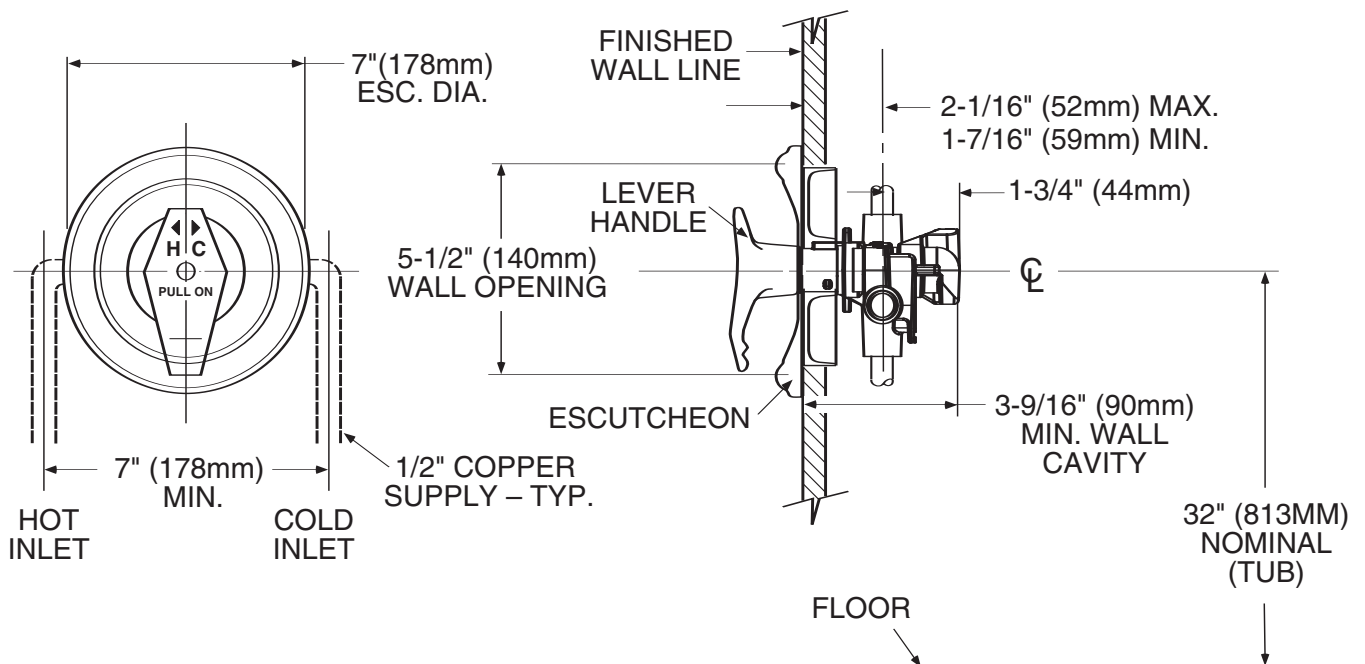
WARRANTY

- Warranted for 5 years against material or manufacturing defects



Single-Handle Pressure Balancing Tub/Shower Valve with Temperature Limit Stop

Model: 8350



CRITICAL DIMENSIONS

(DO NOT SCALE)