

**FAUCET DESCRIPTION**

- Fixed mount vandal resistant showerhead
- Chrome plated metallic spray face and shell
- Brass swivel ball assembly
- Single-function spray pattern
- Adjustable spray angle\*
- \*(Only by serviceable professional installer)
- Mounting hardware included

**FLOW**

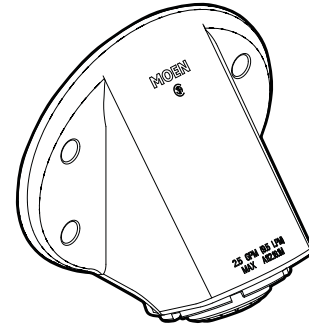
- Designed to deliver 2.5 gpm (9.5 L/min) at 80 psi
- 1.1 gpm (4.2 L/min)MIN at 45 psi

**STANDARDS**

- Designed and manufactured to comply with the requirements of: ASME A112.18.1/CSA B125.1 and all requirements referenced therein

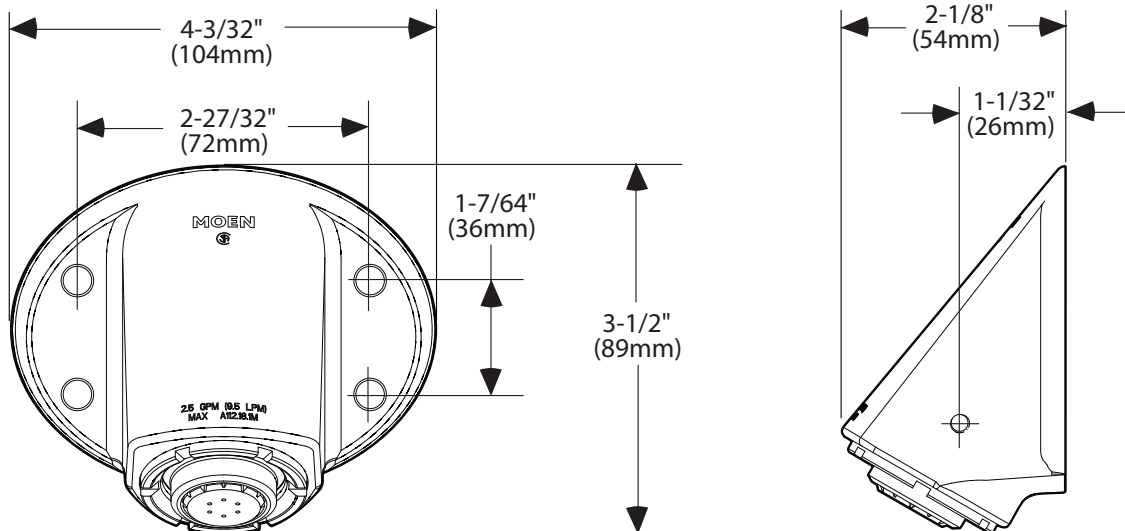
**WARRANTY**

- Warranted for 5 years against material or manufacturing defects



**VANDAL PROOF SHOWERHEAD**

**Model: 8290**



**CRITICAL DIMENSIONS**

(DO NOT SCALE)