

## DESCRIPTION

- Brass construction with chrome plated finish
- 8" widespread
- 1/2" IPS connections

## OPERATION

- Lever style handles with hot and cold color indicators
- Vandal resistant torx head screws
- 1/4 turn to open (clockwise to close)

## FLOW


- Aerator is limited to 2.2gpm max (8.3L/min.)

## CARTRIDGE

- Brass shell, ceramic disc cartridge
- 1/4 turn operation

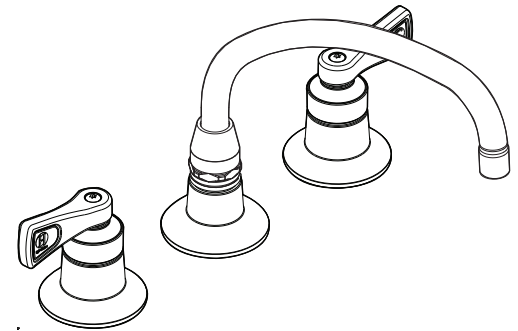
## STANDARDS

- Third party certified to meet ASME A112.18.1/CSA B125.1, NSF 61/9 and all applicable specifications referenced therein
- Contains no more than 0.25% weighted average lead content
- Complies with California Proposition 65 and with the Federal Safe Drinking Water Act

- ADA  for lever handles

## WARRANTY

- Warranted for 5 years against material or manufacturing defects

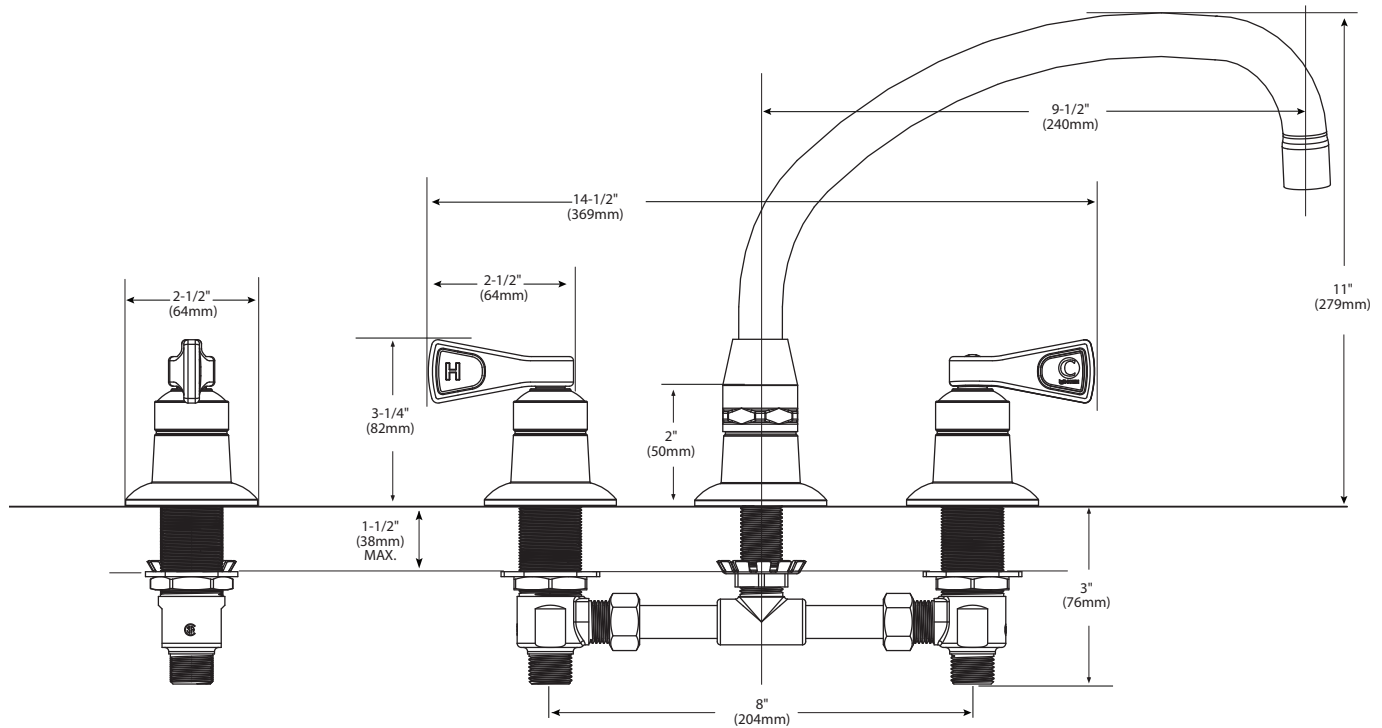


## Two-Handle Lavatory Faucet with Spout

Model: 8241



**NOTE:** Designed to be installed through 3 holes - 1 3/8" min. dia.



## CRITICAL DIMENSIONS

(DO NOT SCALE)