

FAUCET DESCRIPTION

- Chrome plated brass construction
- (3/8" compression x 15" stainless steel supply line)
- Supplied less spout with vandal resistant screws

OPERATION

- 2-1/2" Lever handle
- Hot and cold color indicators
- 1/4 turn to open

CARTRIDGE

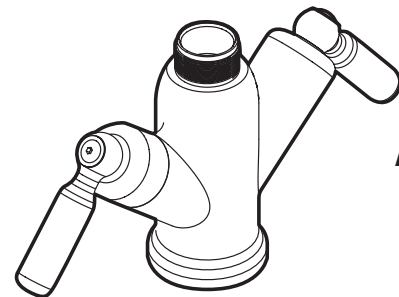
- Ceramic 28mm cartridge design
- Nonmetallic and nonferrous material

STANDARDS

- Third party certified by IAPMO and CSA to meet ASME A112.18.1M, and all applicable specifications referenced therein and complies with the applicable requirements of ANSI A117.1

WARRANTY

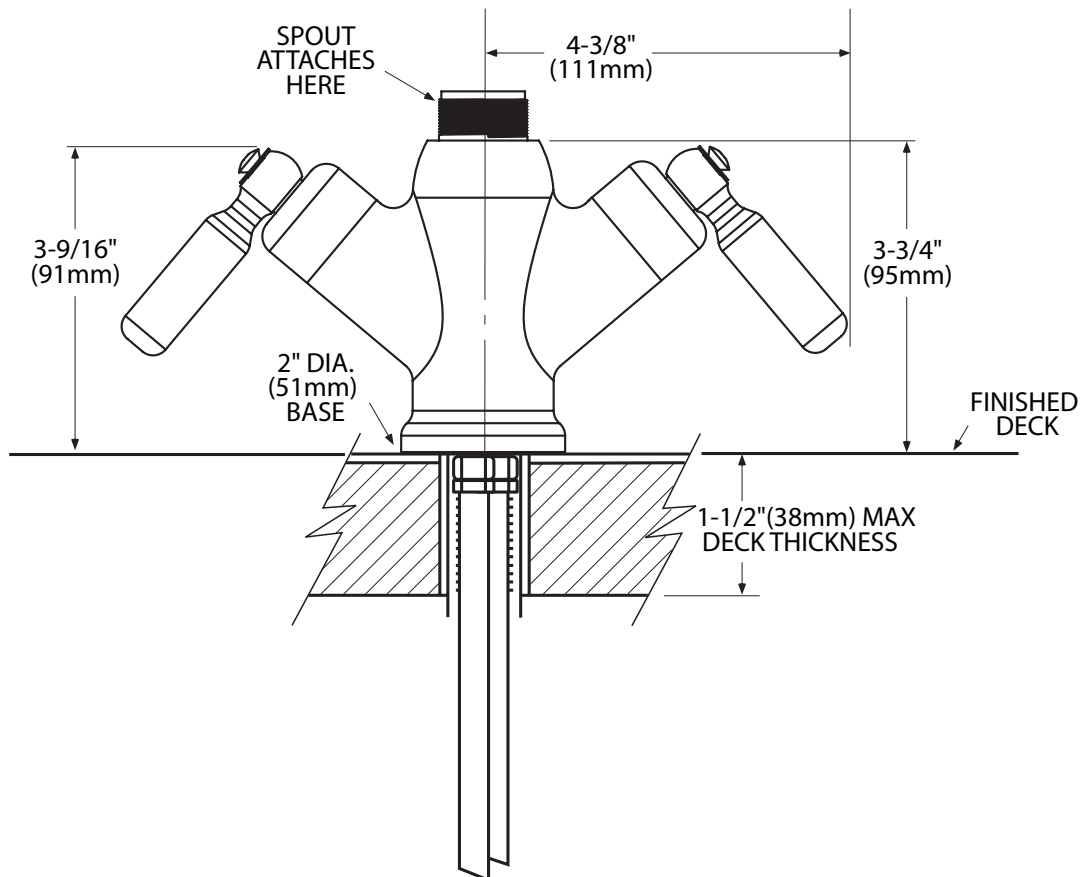
- Warranted for 5 years against material or manufacturing defects



Two Handle Laboratory Faucet

Model: 8110 (Chrome)

NOTE: DESIGNED TO INSTALL THROUGH 1-1/8" MIN. DIA. HOLE



CRITICAL DIMENSIONS

(DO NOT SCALE)