



Buy it for looks. Buy it for life.®

Specifications

FAUCET DESCRIPTION

- Metal construction with chrome plated or LifeShine® stainless finish
- 1/2" IPS connections will accept standard ball nose connection for 3/8" tubing
- Includes matching finish side spray in escutcheon with Hydrolock® quick connect system

OPERATION

- Lever style handle
- Temperature controlled by 180° arc of handle travel
- Will operate with less than 5 lbs. of force

FLOW

- Aerator is limited to 2.2 gpm (8.3 L/min).

CARTRIDGE

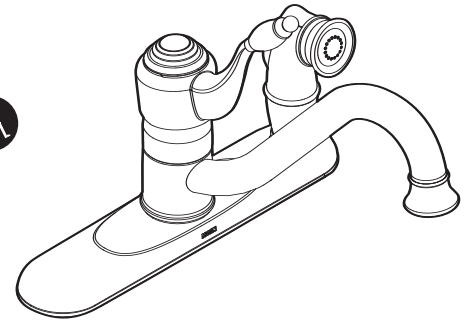
- 1225 cartridge design
- Nonmetallic, nonferrous and stainless steel material

STANDARDS

- Third party certified to CSA B125, ASME A112.18.1M, ANSI A117.1 and all applicable requirements referenced therein
- Certified to ANSI/NSF 61/9
- Complies with California Proposition 65 and with the Federal Safe Drinking Water Act

WARRANTY

- Lifetime limited warranty against leaks, drips and finish defects to the original consumer purchaser
- 5 year warranty if used in commercial installations

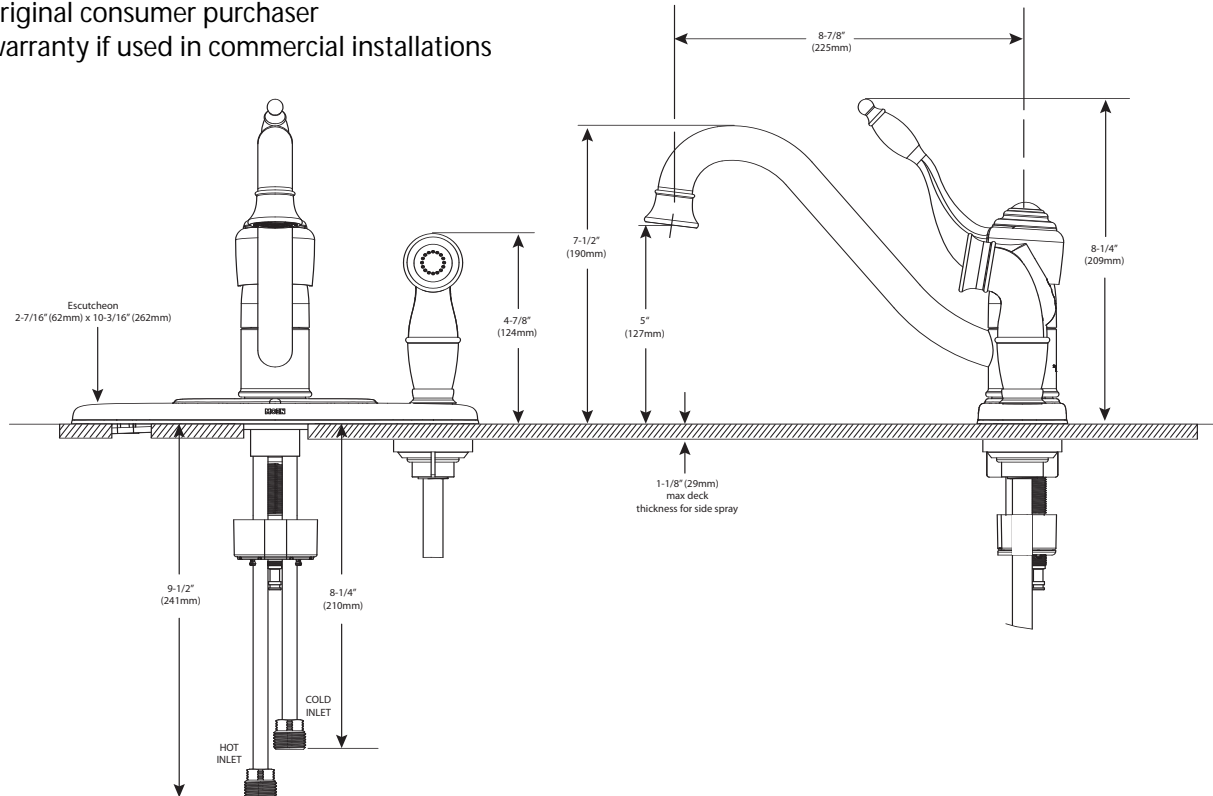


CASTLEBY™
Single-Handle Lever Kitchen Faucet

Models: 7309, 7309SL

Bulk Models: 67309
(packed 12 per carton)

NOTE: Designed to install through 3 holes 1-1/4" (32mm) min. dia. and 4" (102mm) on center



CRITICAL DIMENSIONS

(DO NOT SCALE)

FOR MORE INFORMATION CALL: 1-800-BUY-MOEN

www.moen.com