



Specifications

Buy it for looks. Buy it for life.®

FAUCET DESCRIPTION

- Metal construction with various finishes identified by suffix
- Single hole mounting
- Flexible supply lines with 3/8" fittings connect directly to supply stops
- High arc spout provides height and reach to fill or clean large pots
- 360° rotating spout provides ability to install handle on either side

OPERATION

- Lever style handle
- Temperature controlled by 100° arc of handle travel


FLOW

- Flow is limited to 2.2. gpm (8.3 L/min) at 60 psi

CARTRIDGE

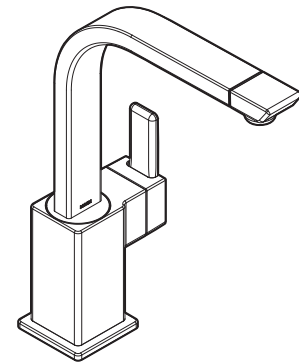
- 1255™ Duralast™ cartridge for Single-Handle Faucets

STANDARDS

- Third party certified to ASME A112.18.1/CSA B125.1 and all applicable requirements referenced therein including NSF 61/9
- Complies with California Proposition 65 and with the Federal Safe Water Drinking Act
- **ADA**  for lever handle

WARRANTY

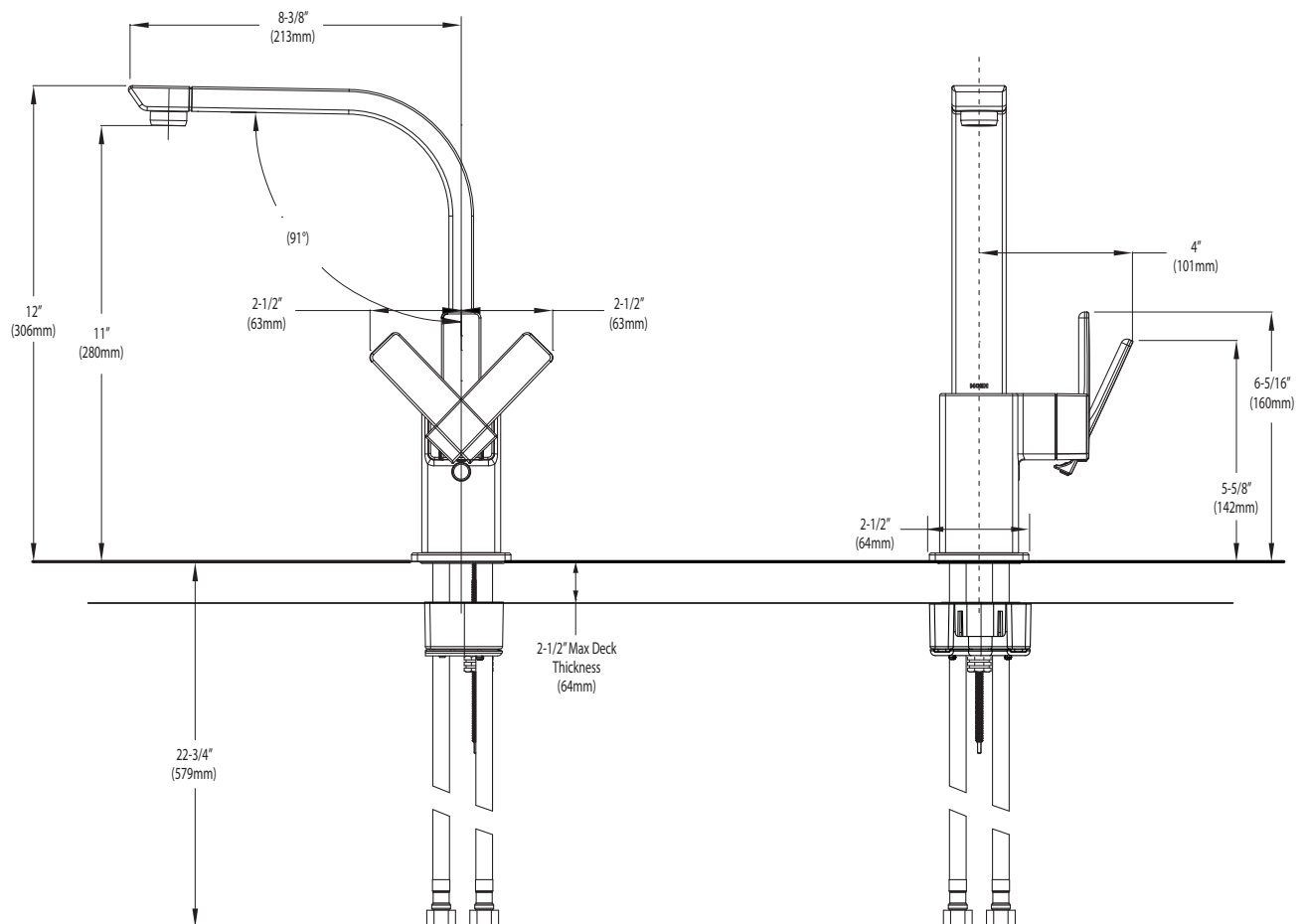
- Lifetime limited warranty against leaks, drips and finish defects to the original consumer purchaser
- 5 year warranty if used in commercial installations



90°™
Single Handle High Arc
Kitchen Faucet

Model: 7170 series

NOTE: THIS FAUCET IS DESIGNED TO BE INSTALLED THRU 1 HOLE, 1-1/4" (32mm) MIN. DIA.



CRITICAL DIMENSIONS

(DO NOT SCALE)

TO ORDER PARTS CALL: 1-800-BUY-MOEN

www.moen.com