



Buy it for looks. Buy it for life.®

FAUCET DESCRIPTION

- Metal construction with chrome, oil-rubbed bronze, LifeShine® stainless steel or pewter finish
- 1/2" IPS connections will accept standard ball nose connection for 3/8" tubing
- Includes matching traditional side spray with Hydrolock® quick connect system

OPERATION

- Lever style handles
- Maximum handle rotation angle is 90° to full on for either handle
- Hot side counterclockwise to open (clockwise to close)
- Cold side clockwise to open (counterclockwise to close)
- Will operate with less than 5 lbs. of force

FLOW

- Aerator is limited to 2.2 gpm (8.3 L/min).

CARTRIDGE

- 1224 cartridge design
- Nonmetallic, nonferrous and stainless steel material

STANDARDS

- Third party certified to CSA B125, ASME A112.18.1M, ANSI A117.1 and all applicable requirements referenced therein
- Certified to ANSI/NSF 61/9
- Complies with California Proposition 65 and with the Federal Safe Drinking Water Act

WARRANTY

- Lifetime limited warranty against leaks, drips and finish defects to the original consumer purchaser
- 5 year warranty if used in commercial installations

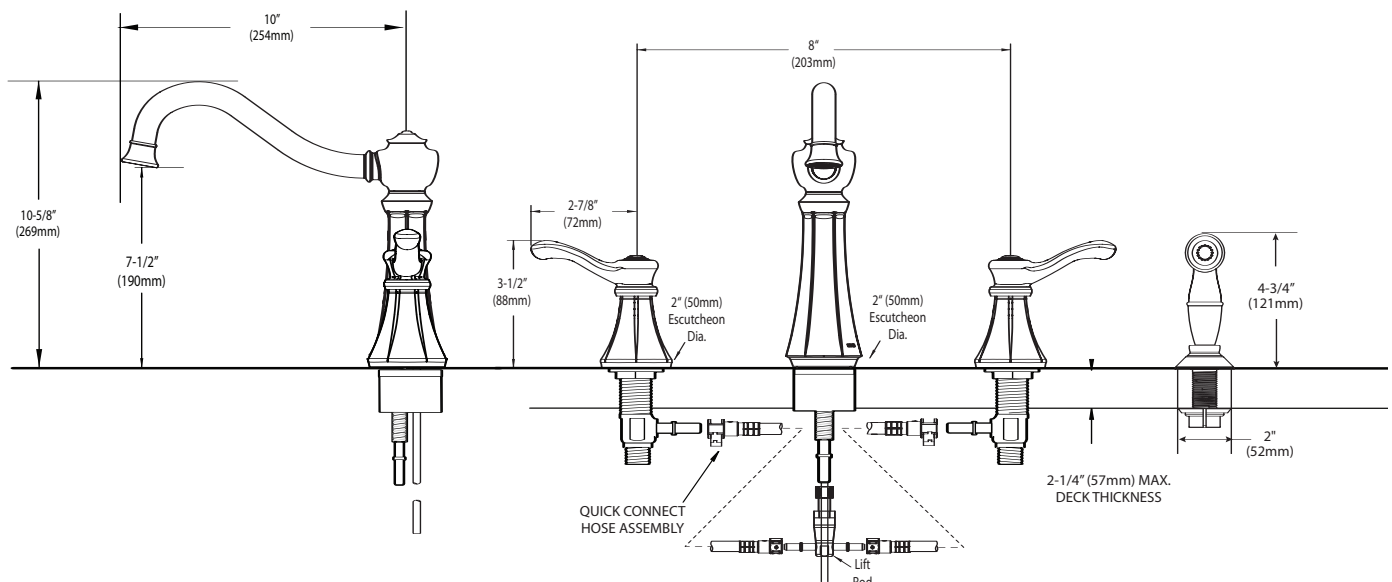
Specifications



Vestige™ Two Handle Kitchen Faucet with Side Spray

Models: 7068, 7068SL, 7068ORB, 7068PW

Spout, Handle, & Hose Spray install
through deck holes a minimum of
1-1/4" (32mm) in diameter.



CRITICAL DIMENSIONS

(DO NOT SCALE)