



Buy it for looks. Buy it for life.®

*There is more than 1 version of this model.
Page down to identify the version you have.*

DESCRIPTION

- Metal construction with various finishes identified by suffix
- 1/2" IPS connections
- Includes metal/polypropylene pop-up type waste assembly.

OPERATION

- Knob style handle
- Pull-on/Push-off
- Temperature controlled through 180° degree arc of handle travel

FLOW

- Flow is limited to 1.5 gpm max (5.7L/min) at 60 psi, for products made before October 2008 flow is limited to 2.2 gpm max (8.3 L/min)

CARTRIDGE

- 1225 cartridge design
- Nonmetallic/nonferrous and stainless steel material
- Can accommodate reversed piping and back to back installations

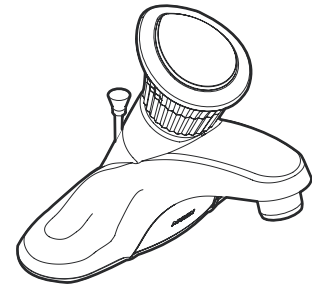
STANDARDS

- Third party certified to WaterSense,® CSA B-125.1, ASME A112.18.1 and all applicable requirements referenced therein
- Certified to ANSI/NSF 61/9
- Complies with California Proposition 65 and with the Federal Safe Water Drinking Act

WARRANTY

- Lifetime limited warranty against leaks, drips and finish defects to the original consumer purchaser
- 5 year warranty if used in commercial installations

Specifications



CHATEAU®
Single-Handle Lavatory Faucet
with Metal Waste Assembly
Models: 4621 series

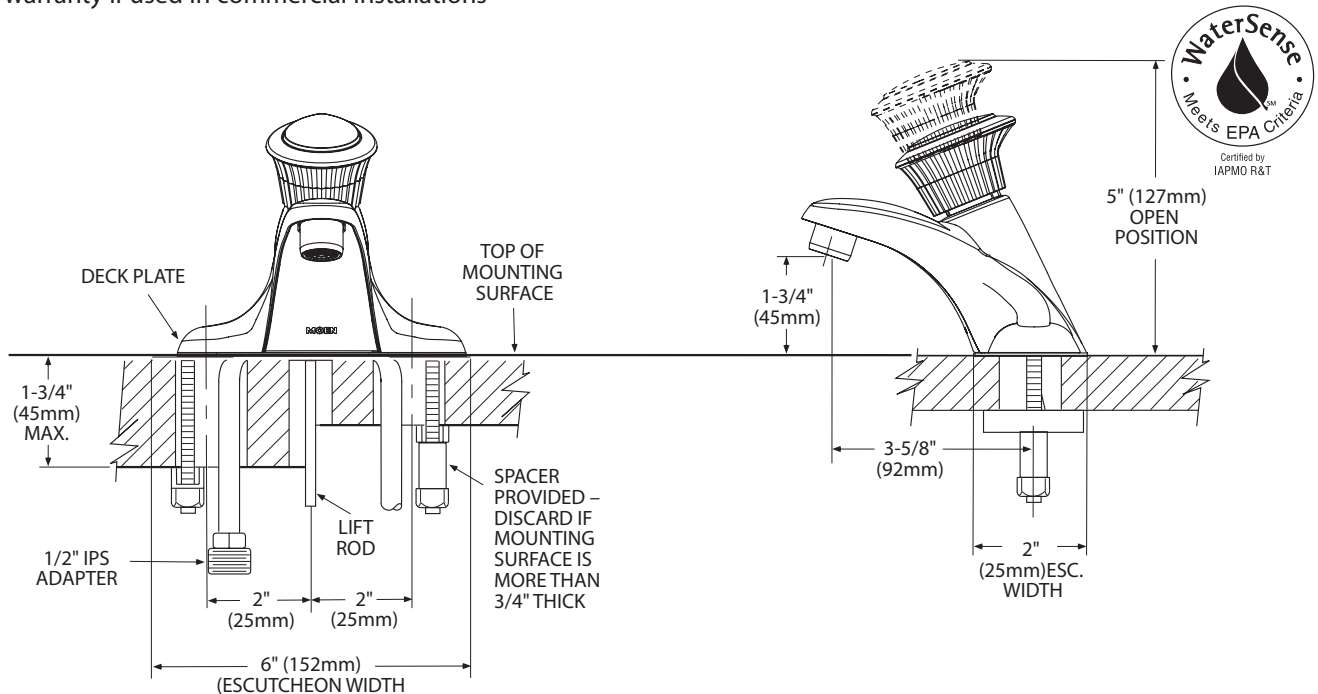
Bulk Pack (12 Per Carton): 64620 series

with 50/50 Waste Assembly
Bulk Pack (12 Per Carton): 64621 series

Less Waste
Model: 4601 series

Bulk Pack (12 Per Carton): 64601 series

NOTE: THIS FAUCET IS DESIGNED TO BE INSTALLED THRU 3-1" DIA. HOLES, 2" ON CENTER



CRITICAL DIMENSIONS

(DO NOT SCALE)





Buy it for looks. Buy it for life.®

Specifications

DESCRIPTION

- Metal construction with various finishes identified by suffix
- 1/2" IPS connections
- Includes metal pop-up type waste assembly

OPERATION

- Knob style handle
- Pull-on/Push-off
- Temperature controlled through 180° degree arc of handle travel

FLOW

- Flow is limited to 1.5 gpm max (5.7L/min) at 60 psi, for products made before October 2008 flow is limited to 2.2 gpm max (8.3 L/min)

CARTRIDGE

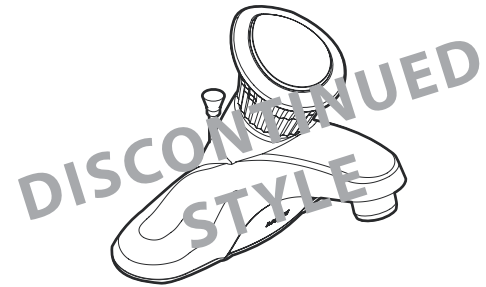
- 1225 cartridge design
- Nonmetallic/nonferrous and stainless steel material
- Can accommodate reversed piping and back to back installations

STANDARDS

- Third party certified to WaterSense,® CSA B-125, ASME A112.18.1M and all applicable requirements referenced therein
- Certified to ANSI/NSF 61/9
- Complies with California Proposition 65 and with the Federal Safe Water Drinking Act

WARRANTY

- Lifetime limited warranty against leaks, drips and finish defects to the original consumer purchaser
- 5 year warranty if used in commercial installations



CHATEAU®
Single-Handle Lavatory Faucet
with Metal Waste Assembly
Models: 4621 series

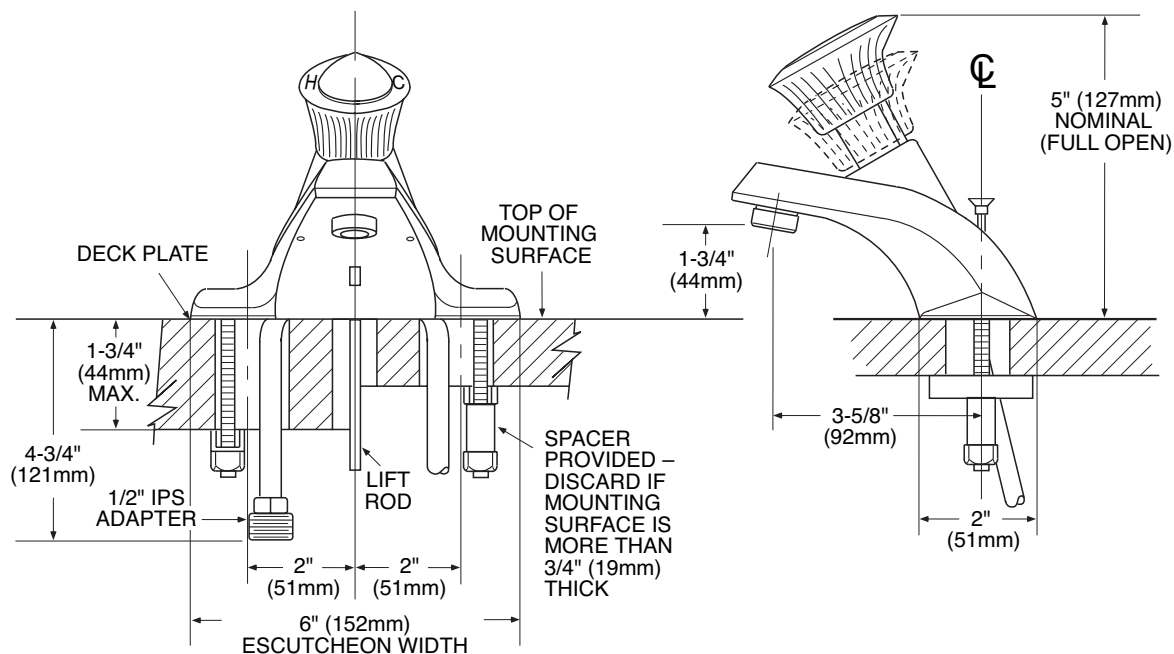
Bulk Pack (12 Per Carton): 64620 series

with 50/50 Waste Assembly
Bulk Pack (12 Per Carton): 64621

Less Waste
Model: 4601 series

Bulk Pack (12 Per Carton): 64601 series

NOTE: THIS FAUCET IS DESIGNED TO BE INSTALLED THRU 3-1" DIA. HOLES, 2" ON CENTER



CRITICAL DIMENSIONS

(DO NOT SCALE)