



Buy it for looks. Buy it for life.®

#### DESCRIPTION

- Fixed mount showerhead only
- Nonmetallic spray face and shell
- Brass swivel ball assembly
- Available in chrome or Lifeshine® brushed nickel finish

#### FLOW

- Designed to deliver 2.5 gpm (9.5 L/min) at 60 psi

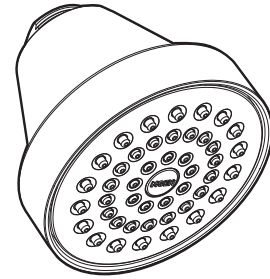
#### STANDARDS

- Designed and manufactured to comply with the requirements of: ASME A112.18.1/CSA B125.1 and all requirements referenced therein

#### WARRANTY

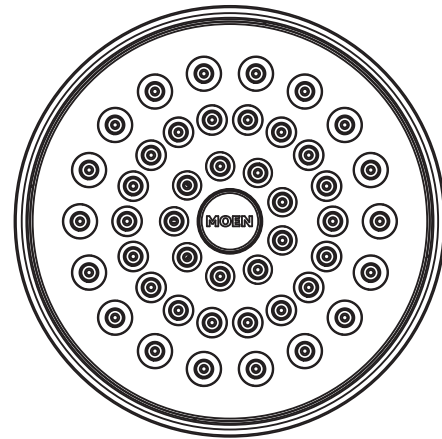
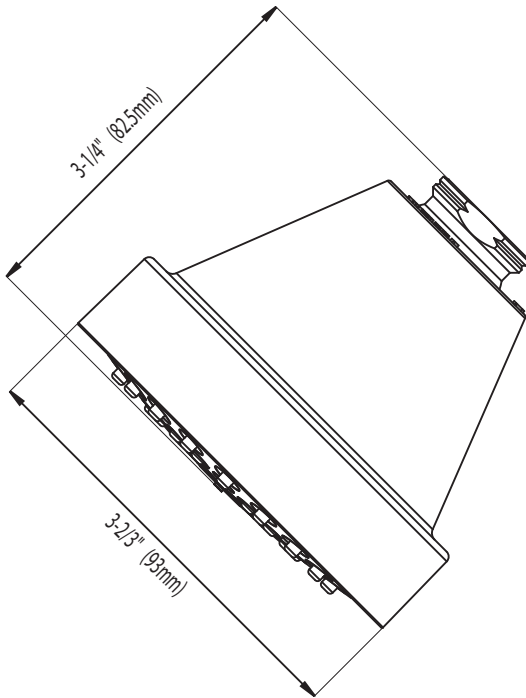
- Lifetime limited warranty against leaks, drips and finish defects to the original consumer purchaser
- 5 year warranty if used in commercial installations

## Specifications



### LEVEL™ Single Function Showerhead

Models: 6399, 6399BN



### CRITICAL DIMENSIONS

(DO NOT SCALE)

FOR MORE INFORMATION CALL: 1-800-BUY-MOEN

[www.moen.com](http://www.moen.com)