



Buy it for looks. Buy it for life.®

Specifications

DESCRIPTION

- Brass construction
- PEX connections*
- Pressure balancing, four port, cycle valve
- Includes pre-installed test plug (cartridge also included inside carton)
- Allows valve to be soldered, pressure-tested, and flushed without damaging the cartridge

OPERATION

- Adjustable temperature limit stop to control maximum hot water temperature
- Pressure balancing mechanism maintain selected discharge temperature to $\pm 3^{\circ}\text{F}$

CARTRIDGE

- 1222 cartridge design
- Nonmetallic/nonferrous and stainless steel materials
- Accommodates back to back installations

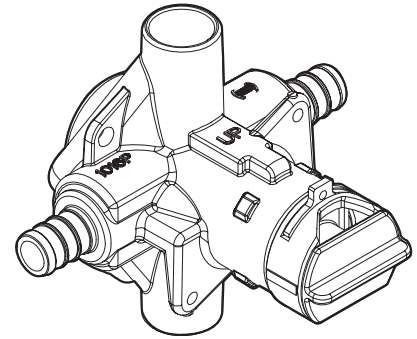
STANDARDS

- Third party certified to meet CSA B-125, ASME A112.18.1M ASSE 1016, and all applicable requirements referenced therein

WARRANTY

- Lifetime limited warranty against leaks, drips and finish defects to the original consumer purchaser
- 5 year warranty if used in commercial installations

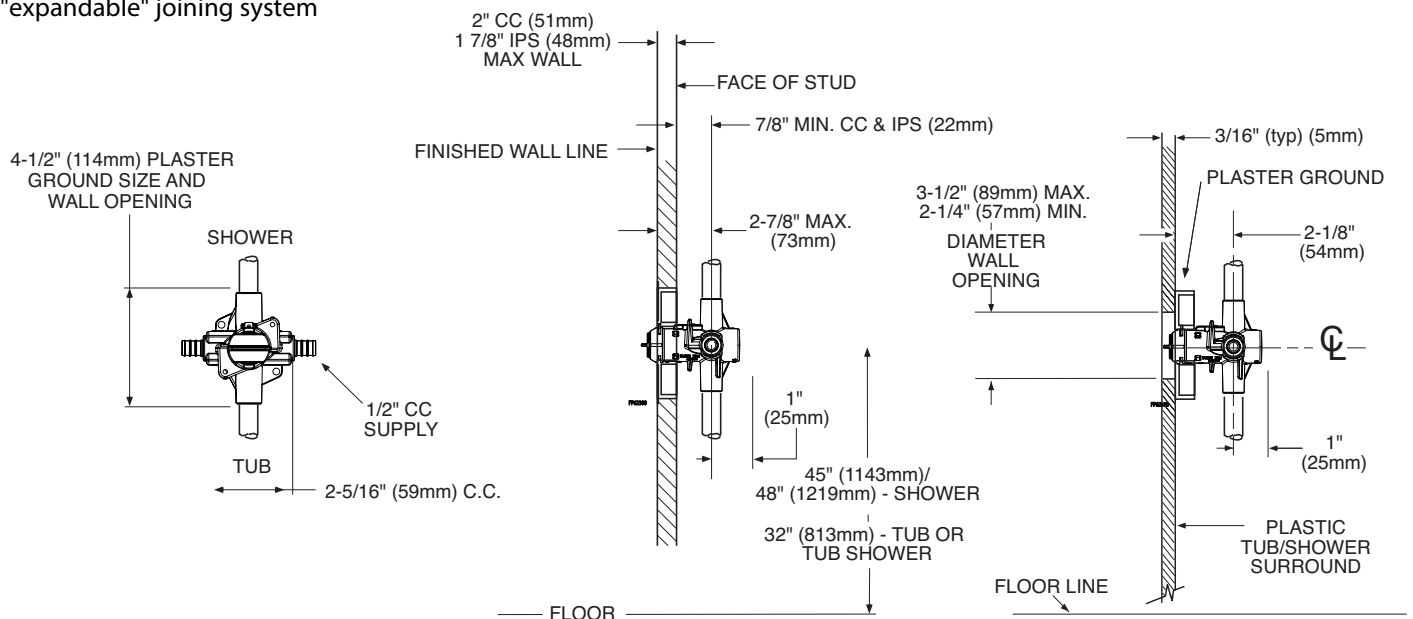
* The PEX Posi-Temp valves are NOT to be used with polybutylene (PB) tubing or the Wirsbo "expandable" joining system



POSI-TEMP® VALVE Pressure-Balancing Valve

Model: FP62380 (PEX)* - Bulk Packed

(Bulk packed 12 per carton)



CRITICAL DIMENSIONS

(DO NOT SCALE)

FOR MORE INFORMATION CALL: 1-800-BUY-MOEN

www.moen.com