



Buy it for looks. Buy it for life.®

# Specifications

## DESCRIPTION

- Metal construction with chrome plated or LifeShine® brushed nickel finish
- 24" flexible supply lines with 3/8" compression fittings

## OPERATION

- Lever style handle
- Temperature controlled by 110° arc of handle travel

## FLOW

- Aerator is limited to 2.2 gpm max (8.3 L/min)
- Laminar flow

## CARTRIDGE

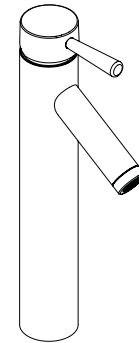
- Ceramic cartridge design
- Nonmetallic/nonferrous and ceramic material

## STANDARDS

- Third party certified to ASME A112.18.1/CSA B125.1, ICC A117.1, and all applicable requirements referenced therein
- Certified to ANSI/NSF 61/9
- Complies with California Proposition 65 and with the Federal Safe Drinking Water Act

## WARRANTY

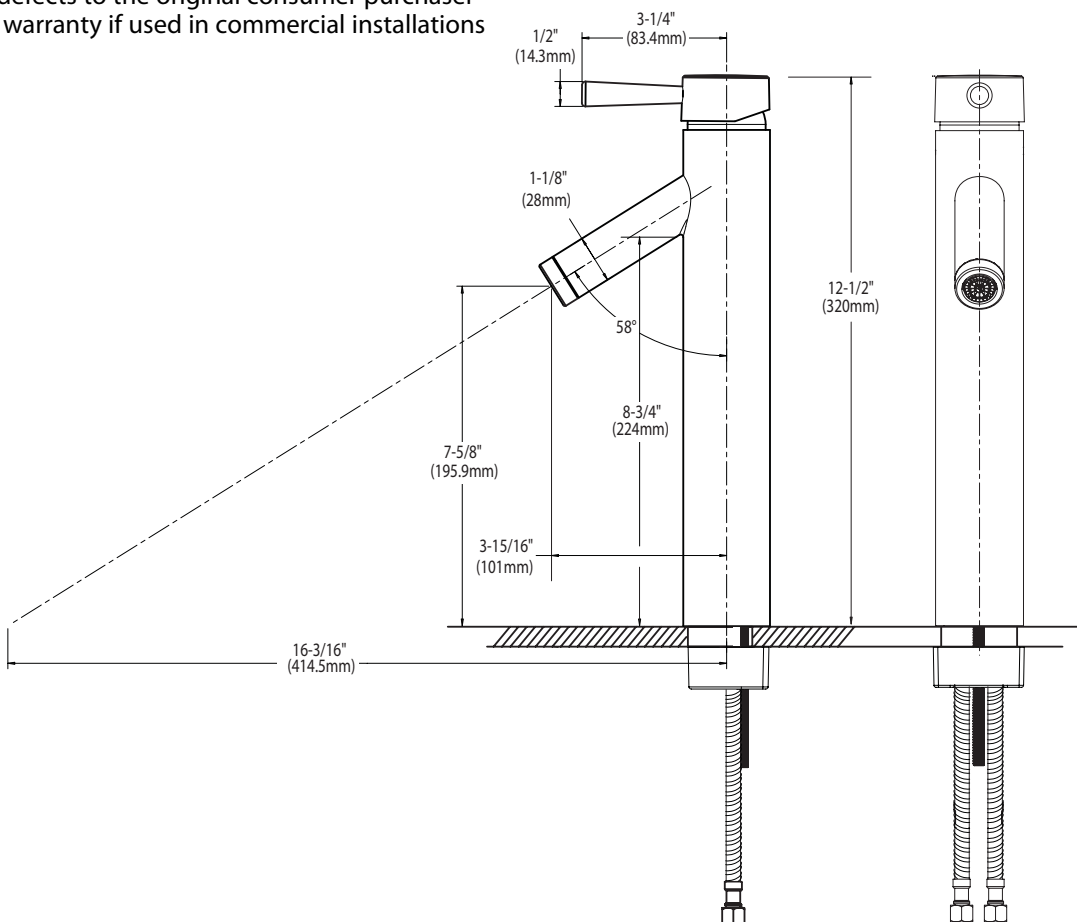
- Lifetime limited warranty against leaks, drips and finish defects to the original consumer purchaser
- 5 year warranty if used in commercial installations



## LEVEL™ Single-Handle Vessel Lavatory Faucet

Models: 6111, 6111BN

**NOTE:** THIS FAUCET IS DESIGNED TO BE INSTALLED THRU 1 HOLE, 1-1/4" MIN. DIA.



## CRITICAL DIMENSIONS

(DO NOT SCALE)

FOR MORE INFORMATION CALL: 1-800-465-6130

www.moen.com