



Buy it for looks. Buy it for life.®

Specifications

DESCRIPTION

- Available in chrome plated, brushed chrome, LifeShine® Polished Brass, Satine™, Matte Black, Platinum, Sand, Stainless, Ivory or Glacier finish

OPERATION

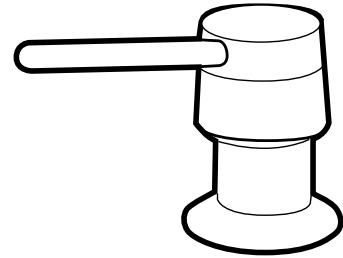
- Press down, pump action

STANDARDS

- Designed and manufactured to comply with the requirements of: CSA B125 and ASME A112.18.1M and all requirements referenced therein

WARRANTY

- Warranted for one year against material or manufacturing defects

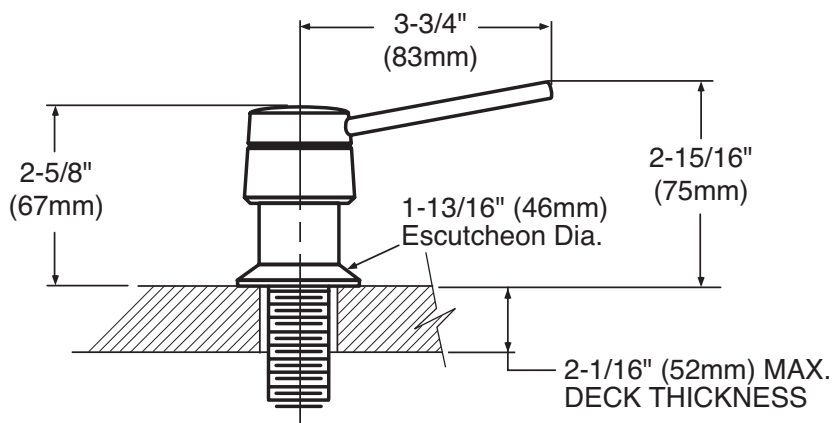


LIQUID DISPENSER

Model: 3910 series

Decorative finishes include:

3910 (Chrome), 3910BC (Brushed Chrome),
3910S (Sand), 3910W (Glacier), 3910P (Pol. Brass),
3910BL (Matte Black), 3910SL (Stainless),
3910V (Ivory), 3910PM (Platinum), 3910ST (Satine)



NOTE: DESIGNED TO BE INSTALLED THROUGH 1 HOLE 1-1/8" DIAMETER

CRITICAL DIMENSIONS

(DO NOT SCALE)