



Buy it for looks. Buy it for life.®

SINK DESCRIPTION

- Manufactured of 20 gauge, type 301 nickel-bearing stainless steel
 - The two bowls are a minimum of 14" x 16" x 7.5"
 - Has two 3-1/2" diameter recessed drain openings
 - Soundshield undercoating maximizes sound deadening and inhibits condensation.
 - The exposed surfaces are polished to a lustrous satin tone finish
 - Silicone sealant not provided. Includes mounting bracket.
- Other standard mounting hardware not included

INSTALLATION

- Template enclosed with sink
- Template ordering number 22508

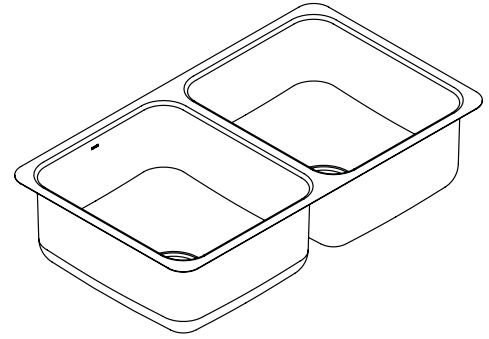
STANDARDS

- Third party certified by IAPMO to meet ASME A112.19.3 and all applicable specifications referenced therein.

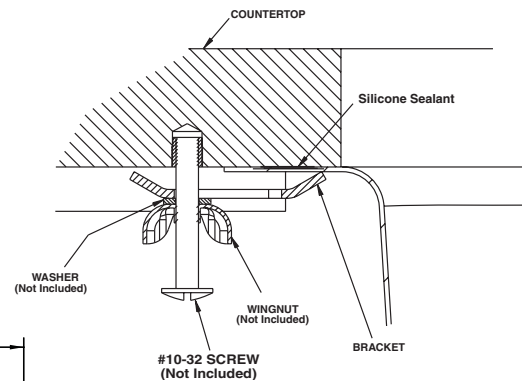
WARRANTY

- Warranted for ten years against material or manufacturing defects

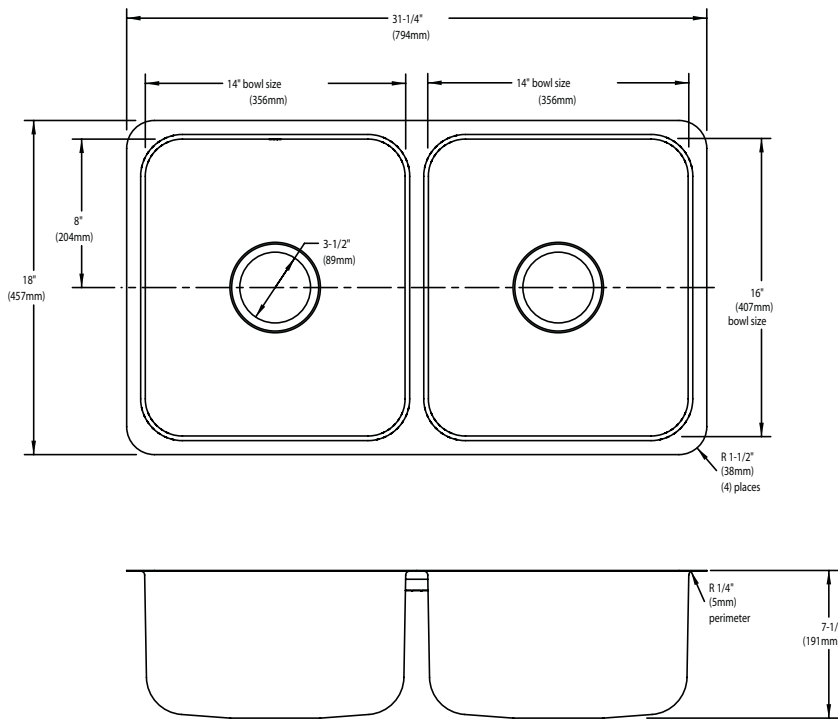
Specifications



**Camelot® Undermount
Double Bowl Kitchen Sink
Model: 22257
(UMTKDE-29"x16"x7.5")**



Installation Detail



CRITICAL DIMENSIONS

(DO NOT SCALE)

FOR MORE INFORMATION CALL: 1-800-BUY-MOEN

www.moen.com