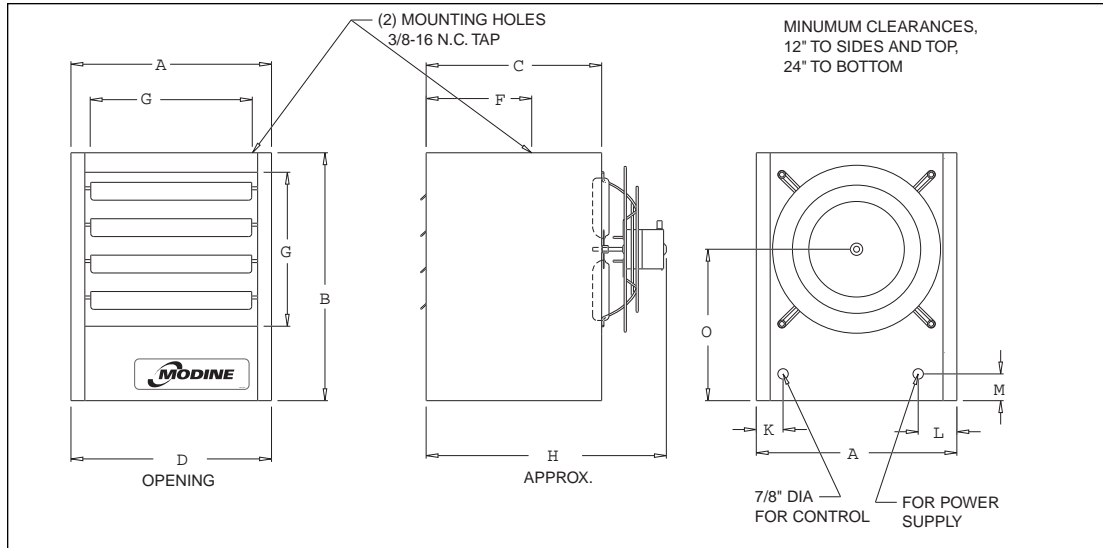


September, 2002



### SUBMITTAL DATA horizontal electric unit heaters models HER50 thru HER250



#### Outline Dimensions (inches)

Dim.	Electrical Unit Heater Models						
	HER50	HER75	HER100	HER125	HER150	HER200	HER250
A	16-7/8	16-7/8	16-7/8	16-7/8	16-7/8	18-7/8	18-7/8
B	20-7/8	20-7/8	20-7/8	20-7/8	20-7/8	24	24
C	14-3/4	14-3/4	14-3/4	14-3/4	14-3/4	20	20
D	14-1/2	14-1/2	14-1/2	14-1/2	14-1/2	16-1/2	16-1/2
E	13	13	13	13	13	16	16
F	8-7/8	8-7/8	9-5/8	9-5/8	9-5/8	12-5/8	12-5/8
G	13-1/2	13-1/2	13-1/2	13-1/2	13-1/2	15-1/2	15-1/2
H	20-1/4	20-1/4	21-1/4	21-1/4	21-1/4	26-1/2	26-1/2
K	2-1/4	2-1/4	2-1/4	2-1/4	2-1/4	3-1/4	3-1/4
L	3-1/4	3-1/4	3-1/4	3-1/4	3-1/4	4-1/4	4-1/4
M	2-1/4	2-1/4	2-1/4	2-1/4	2-1/4	2-1/2	2-1/2
O	12-3/4	12-3/4	12-3/4	12-3/4	12-3/4	14-1/2	14-1/2
Fan Dia.	12	12	12	12	12	14	14
Wt.* Lbs.	52	52	67	65	74	97	98

\* Approx. Shipping Weight... Add 7 lbs. for 480 Volt Models.

#### Motor Specifications

Model	HP	Voltage	Phase	Amp.	Hertz	RPM	Motor Type W/Tol	Shaft Dia. (in.)	Bearing Type
HER50 HER75	1/40	208-230	1	0.50	60	1550	Totally Enclosed Shaded Pole	5/16	Sleeve
HER100 HER125 HER150 HER200 HER250	1/15	208-230	1	1.28	60	1050	Totally Enclosed Shaded Pole	1/2	Sleeve

#### Wiring Data

Model No.	Power Supply	Total* Amps (Approx.)	Min. Wire Size (Awg)	Min. Conduit Size
HER 50	208/1	24.5	8	3/4
	240/1	21.3	10	1/2
	208/3	14.4	12	1/2
	240/3	12.6	12	1/2
	480/3	6.6	14	1/2
HER 75	208/1	36.5	6	1
	240/1	31.8	8	3/4
	208/3	21.3	10	1/2
	240/3	18.5	10	1/2
	480/3	9.6	14	1/2
HER 100	208/1	49.1	4	1
	240/1	42.7	6	1
	208/3	28.8	8	3/4
	240/3	25.1	8	3/4
	480/3	13.2	12	1/2
HER 125	208/3	35.8	6	1
	240/3	31.2	8	3/4
	480/3	16.1	10	1/2
HER 150	208/3	42.7	6	1
	240/3	37.2	6	1
	480/3	19.2	10	1/2
HER 200	208/3	56.6	3	1-1/4
	240/3	49.2	4	1
	480/3	25.2	8	3/4
HER 250	208/3	70.5	2	1-1/4
	240/3	61.2	3	1-1/4
	480/3	31.2	8	3/4

\* NEC fuse requirements are 125 percent of total amperes. Check with local code.