

8601

Front Mounted Recessed Security Shower Panel

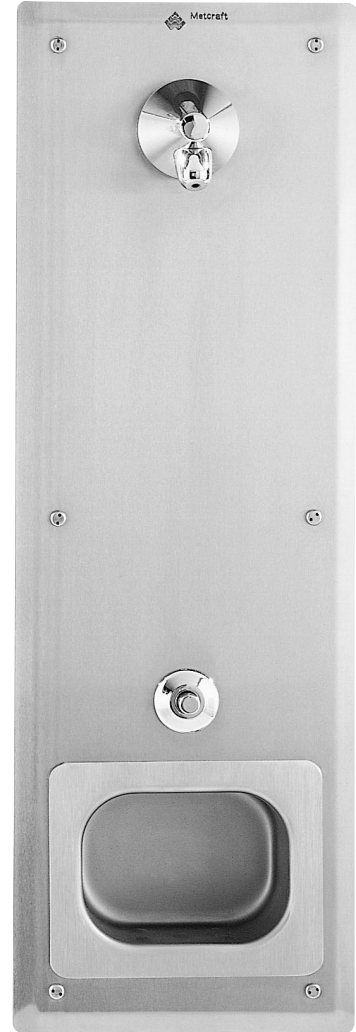
This Shower Panel is designed for use where no accessible chase exists. The panel is fabricated using 14-gauge type 304 stainless steel. Exposed surfaces are polished to a satin finish. Panel is secured to a galvanized steel recessed wall box using stainless steel vandal resistant screws provided. Shower trim and valves are pre-mounted and tested at the factory before shipment. Connections are made to supply piping with flexible supply hoses before the panel is mounted to the wall box.

INSTALLATION

The recessed wall box is built into the wall structure as a wall is being erected. Supply piping must be roughed into the box for final connection when the cover panel is being installed. Knock out areas are provided at several locations in the wall box for this purpose. The shower head, valve and optional soap dish are pre-mounted to the shower panel. Valve supply inlets are provided with flexible hoses for connection to the supply piping. Hose fittings are 1/2" (13mm) FIPT with rubber seals. Once supply piping is connected, the shower panel is secured to the wall box using the vandal resistant stainless steel screws provided.

STANDARD FEATURES

- 30 degree security shower head with vandal resistant adjustable spray.
- Recessed steel mounting box.
- Stainless steel vandal resistant mounting screws for front cover.
- Flexible supply hoses for easy connection.
- Single temperature pushbutton pneumatic metering valve with strainer/checkstop.
- 2.5 gallon per minute flow



Unit may be pictured with some optional features.

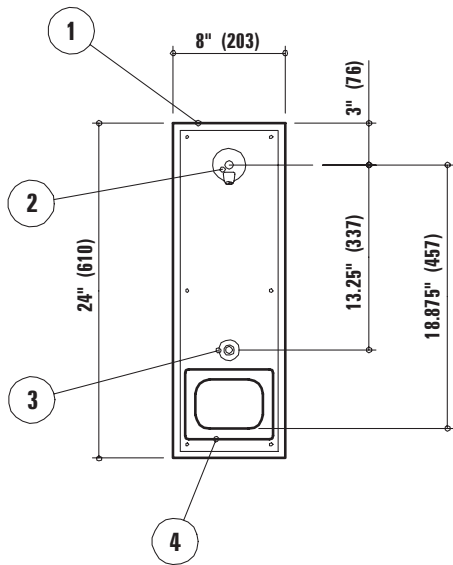
OPTIONS & ACCESSORIES

- | | |
|--------------|-----------------------------|
| S0 | Recessed soap dish |
| A501 | Surface mounted soap dish |
| A385 | Liquid soap valve |
| PSH-2 | Shower head 17 1/2 degree |
| A312 | Hot & cold, pneumatic valve |
| FC20 | 2.0 gallon per minute flow |

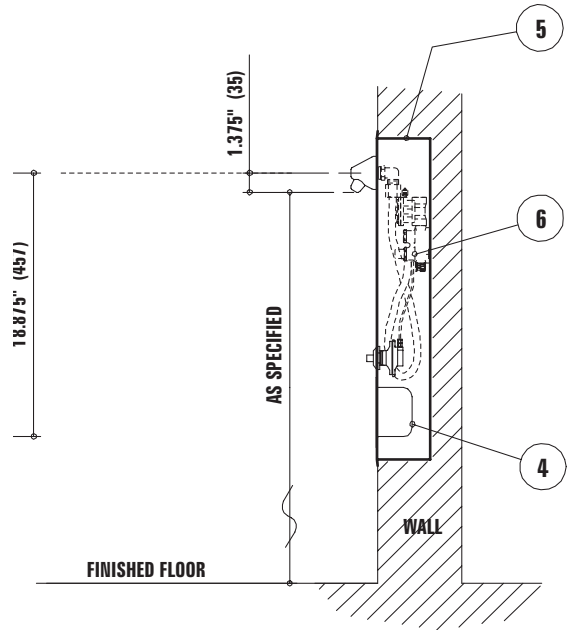
METCRAFT

INDUSTRIES INC.

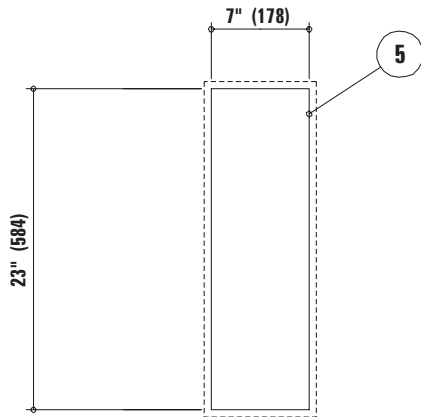
FRONT ELEVATION



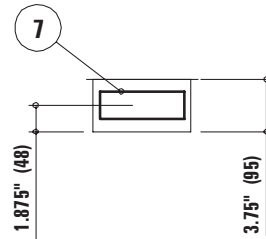
SECTION



CONCEALED BOX ROUGH-IN



VIEW OF TOP/BOTTOM KNOCKOUTS



ROUGH-IN INFORMATION

- ① Cover panel
- ② Penal shower head
- ③ Valve actuator
- ④ Recessed soap dish
- ⑤ Recessed wall box
- ⑥ Pneumatic valve
- ⑦ 2" x 6" (51mm x 152mm) knockouts

Due to continuous product improvement Metcraft reserves the right to make changes in design and specifications without prior notice. All dimensions should be verified with the factory for current information.

2004

