

## 3118-45R&L

These Combination Lavatory/Toilet Fixtures are designed for high security areas with an accessible pipe chase. Fixtures are fabricated using 14-gauge type 304 stainless steel, seamlessly welded to form a one piece, vandal resistant unit. Internal piping is stainless steel. Exposed surfaces are polished to a satin finish, except for the integral seat which is polished to a bright mirror finish.

## PERFORMANCE

Metcraft bowls and assemblies are designed to withstand 5000 lb. (22kN) loading without permanent deflection and damage. They meet or exceed ASME 112.19.6M for hydraulic performance and ASME 112.19.2M for physical dimensions. The trap will pass a 2<sup>5</sup>/<sub>8</sub>" (67mm) dia. ball. A minimum 1" (25mm) supply providing 25psi (172kPa) flushing pressure is required.

Water Consumption:

With a water saver flush valve - 3.5 gpf (13 liters)

With a low consumption flush valve - 1.6 gpf (6 liters)

## INSTALLATION

An accessible pipe chase is required. Six 1/2" (13mm) dia. plated steel anchor rods screw into sockets on back of the fixture. Anchor rods pass through the wall and are secured with washer lugs and hex nuts on the chase side of the wall. No exposed fasteners are used. The installer must provide wall openings for anchor rods, piping, and valve operators per rough-in drawings provided by Metcraft. Valves are installed in the pipe chase.

NOTE: A security frame (wall sleeve) is recommended when installed on a new block (CMU) or poured concrete wall. A security frame is not appropriate for hollow wall construction.

## RECOMMENDED FLUSH VALVES

	SLOAN	ZURN	DELANY
Water saver	603	Z6603	623
Low consumption	603-1.5	Z6603-1.5	623-1.5



Left hand fixture is shown.  
Unit may be pictured with some optional features.

## STANDARD FEATURES

- Floor mounted cabinet, wall outlet waste.
- Oval lavatory basin with fast drain, air circulating self draining soap dish, and 4" (102mm) high backsplash.
- Elbow sink waste with air vent and 1 1/4" (32mm) OD plain end extended 4" (102mm) past back of fixture for slip type connection.
- Plated steel concealed anchor rods and fasteners.
- Back supply connection 1 1/2" (38mm) FIPT.
- Integral elongated seat.
- Self draining flushing rim.
- Blowout flushing action.
- 3" (76mm) OD toilet waste tube with plain end extended 4" (102mm) past back of fixture for NH type connection.
- Fully enclosed trap.

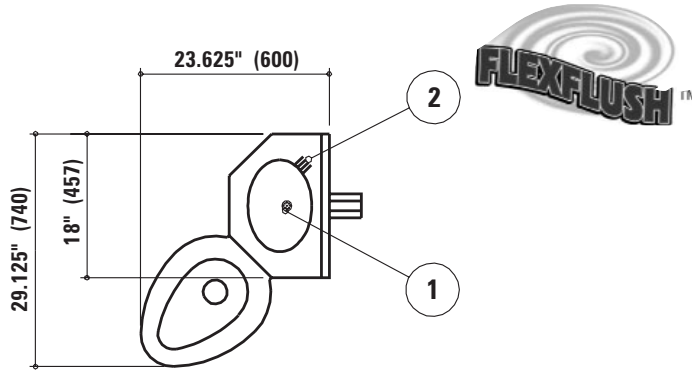
## OPTIONS & ACCESSORIES

Listing of available options and accessories is located at the back of this section.

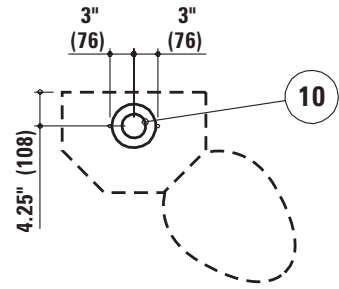
# METCRAFT

INDUSTRIES INC.

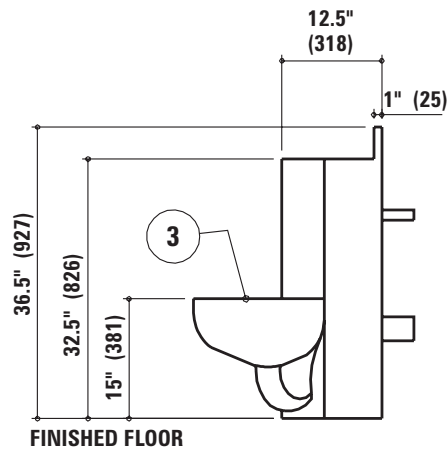
FIXTURE PLAN VIEW



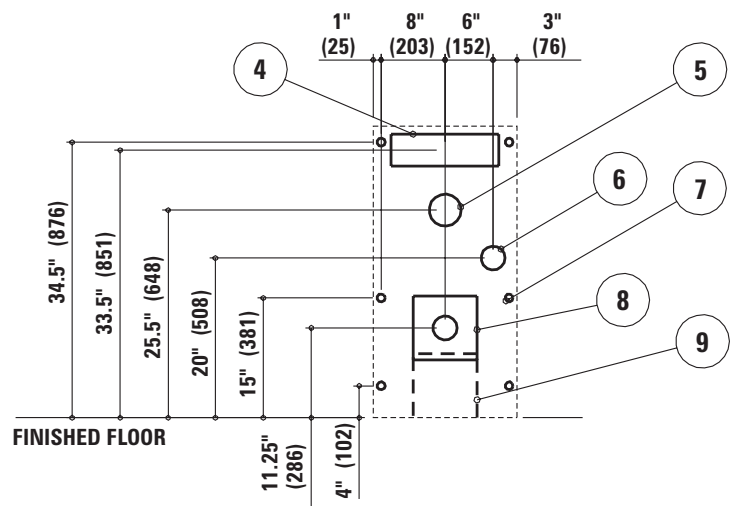
FLOOR PLAN VIEW (showing floor outlet roughs)



FIXTURE SIDE VIEW



WALL ELEVATION VIEW (fixture side)



Right hand fixture is shown.  
Left hand fixture is reversed.

**ROUGH-IN INFORMATION**

- ① Fast drain
- ② Soap dish
- ③ Mirror finish seat
- ④ 4" x 13 1/2" (102mm x 343mm) wall opening for valve plumbing
- ⑤ 4" (102mm) dia. wall opening for sink waste outlet (see note)
- ⑥ 3 1/2" (89mm) wall opening for 1 1/2" (38mm) FIPT flush supply inlet
- ⑦ 1" (25mm) dia. wall opening for anchors (6)
- ⑧ 8" x 8" (203mm x 203mm) wall opening for wall outlet toilet waste connection
- ⑨ 8" x 8" (203mm x 203mm) wall opening for optional floor outlet toilet waste connection
- ⑩ Optional floor waste location

Due to continuous product improvement Metcraft reserves the right to make changes in design and specifications without prior notice. All dimensions should be verified with the factory for current information..

2004



# COMBINATION FIXTURE      OPTIONS & ACCESSORIES

## OUTLET/MOUNTING

<b>FW</b>	Floor mounted, wall outlet
<b>OW</b>	Off the floor wall outlet
<b>FF</b>	Floor outlet

## BASIN FEATURES

<b>OB</b>	Oval basin
<b>RB</b>	Rectangular basin
<b>OS</b>	Oval basin w/integral shelf
<b>RS</b>	Rectangular basin w/integral shelf

## LAVATORY VALVES

<b>A311</b>	Single temperature, pneumatic valve
<b>A312</b>	Hot & cold, pneumatic valve
<b>A313</b>	Single temp., pneumatic valve, manifolded for 2, 3 or 4 fixtures
<b>A314</b>	Hot & cold, pneumatic valve, manifolded for 2, 3 or 4 fixtures
<b>A331</b>	Single temperature, non-metering valve
<b>A332</b>	Hot & cold, non-metering valve

## SPOUTS AND OUTLETS

<b>B1</b>	Penal filler/bubbler
<b>B2</b>	Penal filler/bubbler w/mouthguard
<b>B3</b>	Filler only

## ANTI-FLOOD FEATURE

<b>AFH</b>	Hydraulic anti-flood device
------------	-----------------------------

## TOILET SEAT

<b>HS</b>	Hinged white plastic seat (no cover)
-----------	--------------------------------------

## TOILETRY ACCESSORIES

<b>HT</b>	Single tension stainless steel release towel hook
<b>BT</b>	Integral stainless steel towel bar
<b>TB</b>	Stainless steel toothbrush holder
<b>PH</b>	Integral stainless steel recessed tissue holder

## VENT GRILLES

<b>VG-1</b>	Mitered cabinets, on side(s)
<b>VG-3</b>	Non-mitered cabinets, on side(s)
<b>VG-2</b>	Mitered cabinets, bottom
<b>VG-4</b>	Non-mitered cabinets, bottom

## ACCESSORY ITEMS

<b>A120</b>	Security frame (wall sleeve)
<b>A168</b>	Metal template

## LAVATORY WASTES

<b>EPL</b>	Elbow waste extension 3" (76mm) into chase with air vent
<b>ET2</b>	Elbow waste 1 1/2" (38mm) FIPT outlet with air vent
<b>SJP</b>	Slip joint P-trap waste with cleanout 1 1/2" (38mm) OD Outlet with air vent
<b>PT2</b>	P-trap waste 1 1/2" (38mm) FIPT outlet with air vent
<b>PPL</b>	P-trap waste extension 3" (76mm) into chase with air vent
<b>PPE</b>	P-trap waste 4" (102mm) plain end extension 1 1/4" (32mm) OD outlet with air vent

<b>CW0</b>	Combined waste
<b>CWC</b>	Combined waste with cleanout

## LAVATORY WASTE EXTENSIONS

<b>A230</b>	Cleanout ext. for combined waste feature
<b>A235</b>	Trap assembly 1 1/2" (38mm)
<b>A240</b>	Waste extension 1 1/2" (38mm) with cleanout

## LAVATORY WASTE COUPLINGS

<b>A205-1</b>	1 1/4" (32mm) s/s to 1 1/2" (38mm) COPPER
<b>A205-2</b>	1 1/4" (32mm) s/s to 1 1/2" (38mm) PL/STL
<b>A205-3</b>	1 1/4" (32mm) s/s to 2" (51mm) CI

## TOILET WASTE

<b>GW</b>	Gasket waste outlet
<b>PL</b>	Waste extension 3" (76mm) into chase

## TOILET WASTE, PLAIN END, COUPLINGS

<b>A210-1</b>	3" (76mm) s/s to 4" (102mm) CI
<b>A210-2</b>	3" (76mm) s/s to 4" (102mm) PL
<b>A210-3</b>	3" (76mm) s/s to 3" (76mm) CI
<b>A210-4</b>	3" (76mm) s/s to 3" (76mm) PL

## GASKET WASTE FITTINGS

<b>A228</b>	Torque 4" (102mm) no-hub floor
-------------	--------------------------------

## TOILET WASTE NO-HUB CLEANOUT TEES

<b>A215-3</b>	3" (76mm)
<b>A215-4</b>	4" (102mm)

## TOILET WASTE PINNED CLEANOUT PLUGS

<b>A216-3</b>	3" (76mm)
<b>A216-4</b>	4" (102mm)

# METCRAFT

INDUSTRIES INC.

