

144-123 Quantum®

Elongated Front, Pressure-Assist, Rear Outlet, , Wall-Mount, Vitreous China Two-Piece Toilet



Features

- Elongated Rear Outlet, Wall-Mount
- 1.6 Gpf / 6.0 Lpf
- High Performance, Pressure-Assist Flushmate III™ Flushing Technology
- Trip Levers or Push Button Actuator
 - Model 45 Left Hand Trip Lever
 - Model 49 Right Hand Trip Lever
 - Model 47 Push Button Actuator
- 2-1/8" Glazed Trapway
- The Mansfield® Limited Lifetime Warranty
- Available in White and Standard Colors



Elongated Front



Model 144-123
Toilet seat shown is
unavailable

Components


Model #	Description	Codes/Standards
144-123	Elongated front, rear outlet, wall-mount (1.6 Gpf/6.0 Lpf) pressure-assist, two-piece toilet. Includes tank trim and chrome-plated metal trip lever. Less toilet seat and supply. Specify color.	
144	Elongated front, rear outlet, wall-mount toilet bowl only. Less toilet seat and supply. Specify color.	
123	Pressure-assist tank and cover only with left hand chrome plated, metal trip lever. Less supply. Specify color.	
123RH	Same as model 123, except with right hand trip lever.	
122	Pressure-assist tank and cover only with chrome-plated metal push button actuator. Less supply. Specify color.	

144-123 Quantum®

Elongated Front, Pressure-Assist, Rear Outlet, , Wall-Mount, Vitreous China Two-Piece Toilet

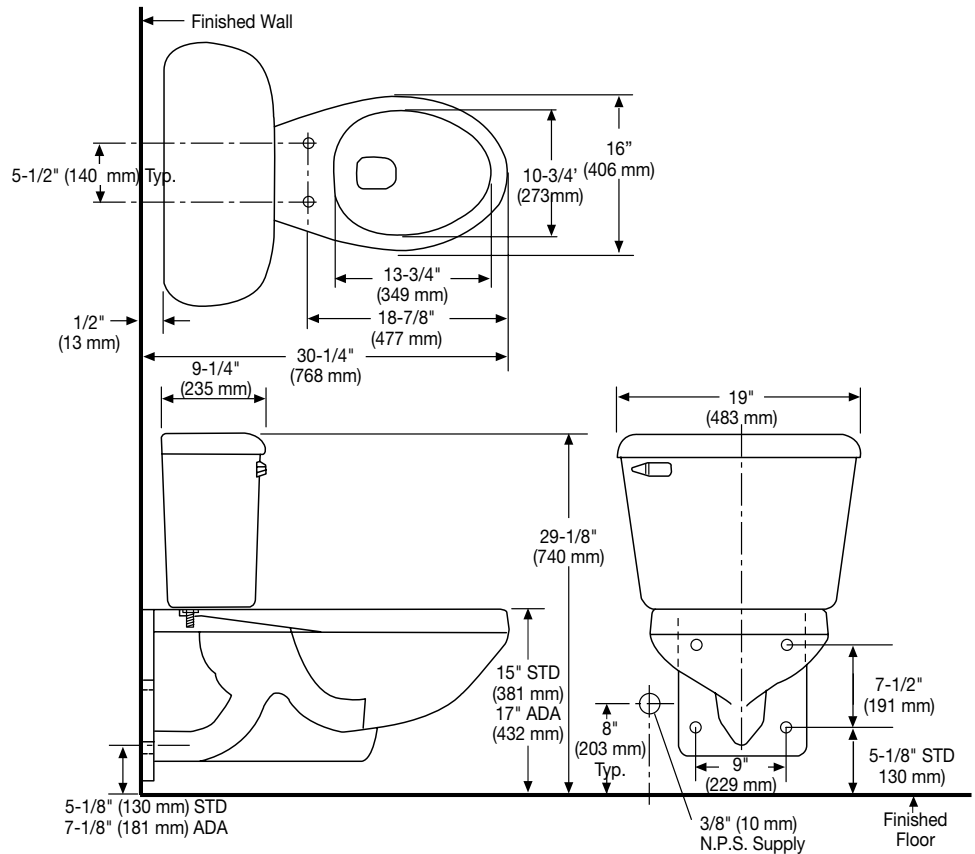


Specifications

Model #	Description	Codes/Standards
144-123	Elongated front, pressure-assist, rear outlet, wall-mount, two-piece toilet	

Specification	Description	Specification	Description
Material	Vitreous China	Trap Diameter	2-1/8"
Water Pressure Range	35 to 80 PSI	Trap Seal	2"
Flush System	Flushmate III™ Flushing Technology	Rough-in	Rear Outlet, Wall-Mount
Water Usage	1.6 gpf / 6.0 lpf	Shipping Weight	Model 144 - 61 lbs. Model 122/123/123RH - 41 lbs
Water Surface Area	9-3/4" X 8"	Warranty	Vitreous China - Limited Lifetime Tank Trim - Five Year Limited
MaP Rating	1000 grams		

Technical Information



See our complete line of acrylic and vitreous china bathroom fixtures, plastic tank trim and plumbing products.

These dimensions are nominal and subject to change without notice.

Fixture performance and specifications meet or exceed ASME A112.19.2-2008/CSA B45.1-08 standards, and other state and local codes.