

# 137-125

## Alto®

Elongated Front, SmartHeight™, Vitreous China, Two-Piece Toilet



### Features

- 3 bolt tank-to-bowl connection
- 1.6 gpf / 6.0 lpf low water consumption
- Elongated front bowl
- SmartHeight™ (16-3/4" high bowl) chair height
- 2" flush tower
- Anti-siphon ballcock
- Model 40 chrome plated, plastic trip lever
- 2" glazed trapway
- The Mansfield® limited lifetime warranty
- Available in White and Standard Colors: Biscuit, Bone





Elongated Front



Model 137-125

Toilet seat not included

### Components

Model #	Description	Codes/Standards
137-125	SmartHeight™, elongated front two-piece toilet. Less toilet seat and supply. Specify color.	 
137	SmartHeight™, elongated front toilet bowl only. Less toilet seat. Specify color.	
125	Tank and cover only, with left hand, front-mount, chrome plated, plastic trip lever. Less supply. Specify color.	



**MADE IN USA**



# 137-125

## Alto®

Elongated Front, SmartHeight™, Vitreous China, Two-Piece Toilet

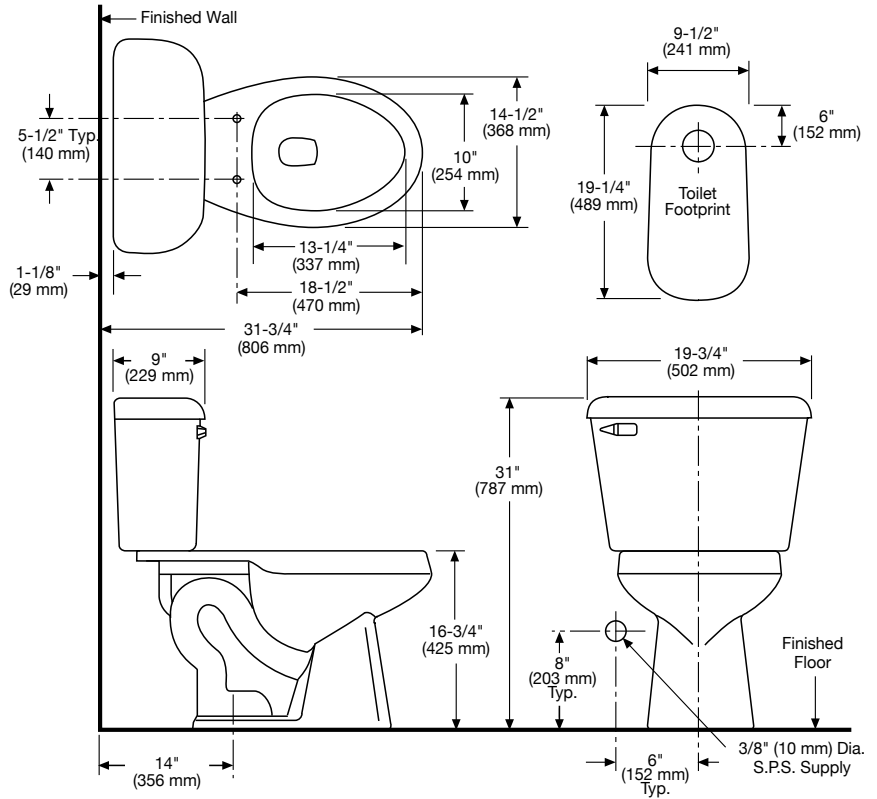


### Specifications

Model #	Description	Codes/Standards
137-125	Elongated front, SmartHeight™, (1.6 gpf/6.0 lpf) two-piece toilet	 

Specification	Description	Specification	Description
Material	Vitreous China	Trap Diameter	2"
Water Pressure Range	20 to 80 PSI	Trap Seal	2-1/2"
Flush System	2" Flush Tower	Shipping Weight	Model 137 - 56 lbs. (25.4 kg)
Water Usage	1.6 gpf / 6.0 lpf		Model 125 - 36 lbs. (16.3 kg)
Water Surface Area	9" X 10"	Warranty	Vitreous China - Limited Lifetime
Rough-in	14"		Tank Trim - Limited One Year

### Technical Information



See our complete line of acrylic and vitreous china bathroom fixtures, plastic tank trim and plumbing products.

These dimensions are nominal and subject to change without notice.

Fixture performance and specifications meet or exceed ASME A112.19.2-2008/CSA B45.1-08 standards, and other state and local codes.



**MADE IN USA**