

MAAX SUBMITTAL SPECIFICATIONS

Rubix 6032

MODEL NUMBER 105705

DIMENSIONS: 60" x 32" x 18" Acrylic



Vivez l'expérience

MAAX®

Enjoy the experience

STANDARD FEATURES

- Narrow end decks, long bathing well and smooth bottom
- Cubic design
- Integrated flat apron and tiling flange (single)
- Right or left drain
- Alcove installation

OPTIONS

- Waste and overflow (factory-installed)
- Foam pillow

UNIQUE FEATURES

- Tiling Flange

SYSTEMS

- None

DOOR SELECTION

Combine with MAAX's complete shower door offering visit www.maax.com

Project :
Contractor :
MAAX Representative : Tel :
Date :

CERTIFICATIONS

Maax products adhere to one or more of the following certifications:



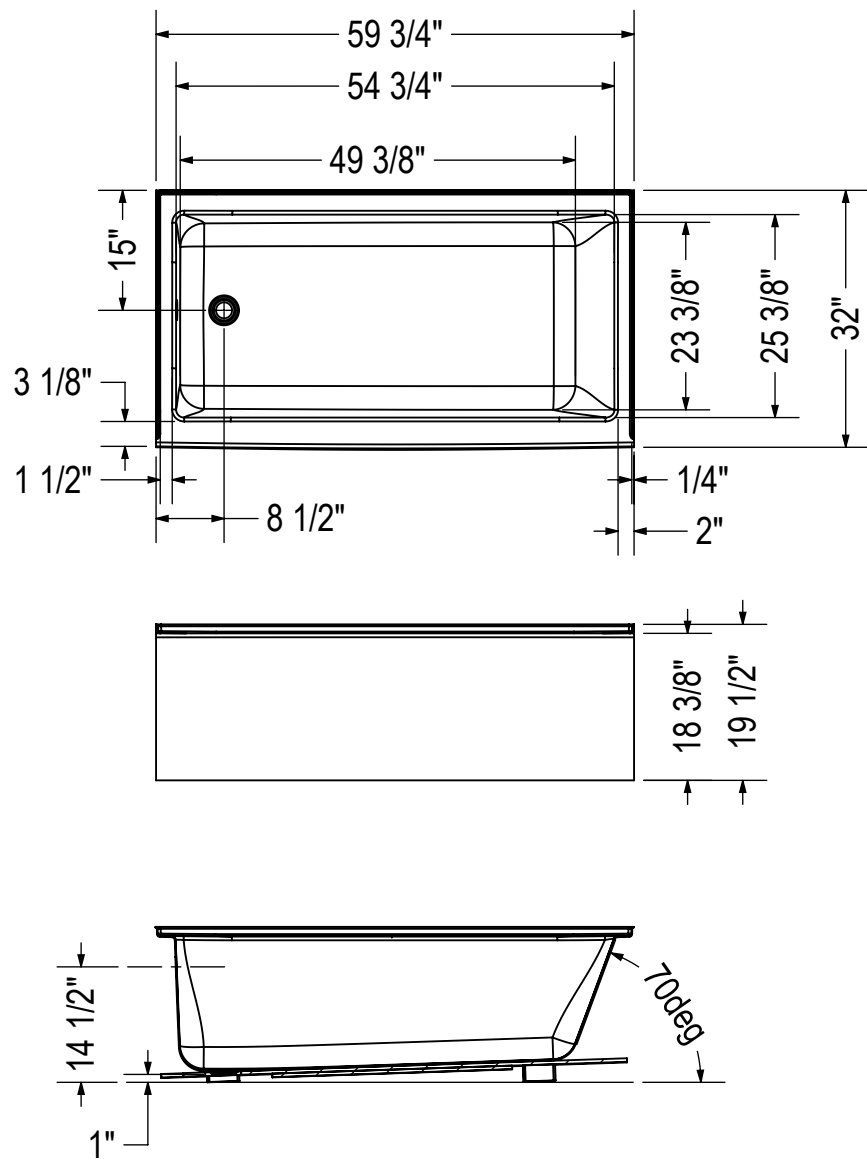
MAAX SUBMITTAL SPECIFICATIONS

Rubix 6032

MODEL NUMBER 105705

TECHNICAL DRAWINGS

STANDARD



All dimensions are approximate. Structure measurements must be verified against the unit to ensure proper fit.