

# MAAX SUBMITTAL SPECIFICATIONS

Vivez l'expérience  
**MAAX**<sup>®</sup>  
Enjoy the experience

## Aiiki 6636

**MODEL NUMBER 102787**

DIMENSIONS: 66" x 36" x 24" Acrylic



### STANDARD FEATURES

- Cube inspired lines with an urban touch and comfortable design
- Comfortable inclined backrests and a shape to offer plenty of shoulder room
- Magnetic cushion available in black or white (Magnet backed headrest for cushion. Factory installed only if cushion ordered on initial order.)
- Drop-in installation
- Apron not available

### OPTIONS

- Thermo-Acoustic system
- Water heater assembly
- ABS trim kit for whirlpool and combined systems
- Two chromatherapy lights
- Flexible main hose 15 ft for electronic control
- Metal trim kit for Aerofeel

### UNIQUE FEATURES

- None

### SYSTEMS

- Aerofeel
- Chromotherapy
- Combined Aerofeel/Hydrofeel
- Hydrofeel
- Ozonator

### DOOR SELECTION

### CERTIFICATIONS

Complete with MAAX's complete Maax products offering more of the following certifications:  
[www.maax.com](http://www.maax.com)



Project : .....

Contractor : .....

MAAX Representative : ..... Tel : .....

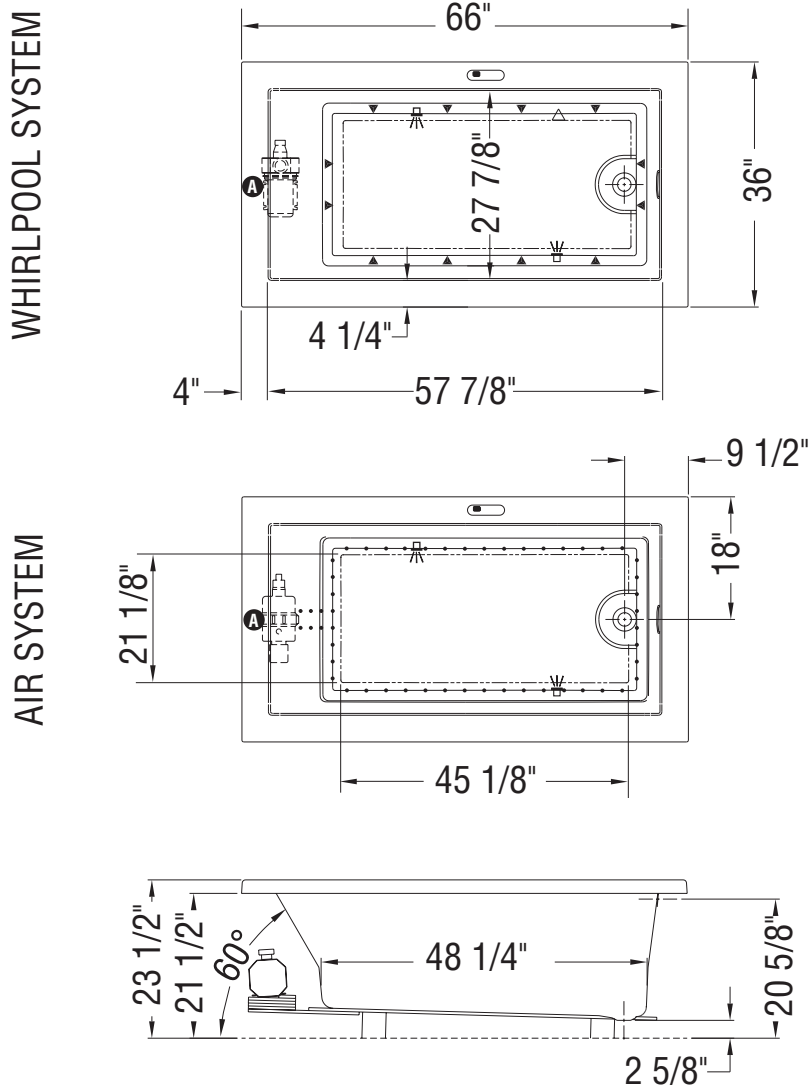
Date : .....

# MAAX SUBMITTAL SPECIFICATIONS

## Aiiki 6636

MODEL NUMBER 102787

### TECHNICAL DRAWINGS



**Note: Air backjets on same side as blower**

- ( ▲ ): Indicates whirlpool jets positioning
- ( △ ): Indicates suction positioning
- ( ● ): Indicates airjets positioning
- ( ♪ ): Indicates chromatherapy light positioning
- ( A ): Indicates pump or blower positioning

Bathtub base includes anti-vibration Neutra-Phone leg supports (not shown).

**All dimensions are approximate. Structure measurements must be verified against the unit to ensure proper fit.**