

2603SMTE – ACCESSIBLE TUB-SHOWERS

inches (mm)

Interior: 56 x 30 ¼ x 78 (1420 x 770 x 1980)

Exterior: 60 x 33 ¼ x 79 ¼ (1525 x 845 x 2015)

Fax on Demand #6051



AQUATIC ADVANTAGE

- National distribution
- 5 manufacturing facilities
- Private fleet
- Centralized customer service
- Field support
- 24-hour fax-on-demand

COLOR & TRIM OPTIONS

Stock	Premium
Almond	Black
Biscuit	Mexican Sand
Bone	Sandbar
Linen	
Sterling Silver	
White	

**Additional custom colors available.
(Contact Customer Service)

FEATURES

- Gelcoat surface
- 17" (430 mm) skirt
- Smooth wall
- LH or RH drain
- Partial reinforcement to accommodate standard grab bar locations.
- Additional reinforcement available.
- 5-year limited warranty

OPTIONS

- Grab bars
- Removable seat
- Hand-held shower assembly with slide bar
- Pressure balancing mixing valve
- Curtain rod and/or shower curtain

CODE COMPLIANCE

- ADA
- FHA
- ICC/ANSI A117.1
- ANSI Z124.1.2
- HUD UM73a
- CAN/CSA-B651-04
- CAN/CSA-B45-02

**Code compliant when fully equipped and installed according to guidelines.



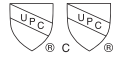
Aquatic products may be
specified as Lasco Bathware.



2603SMTE

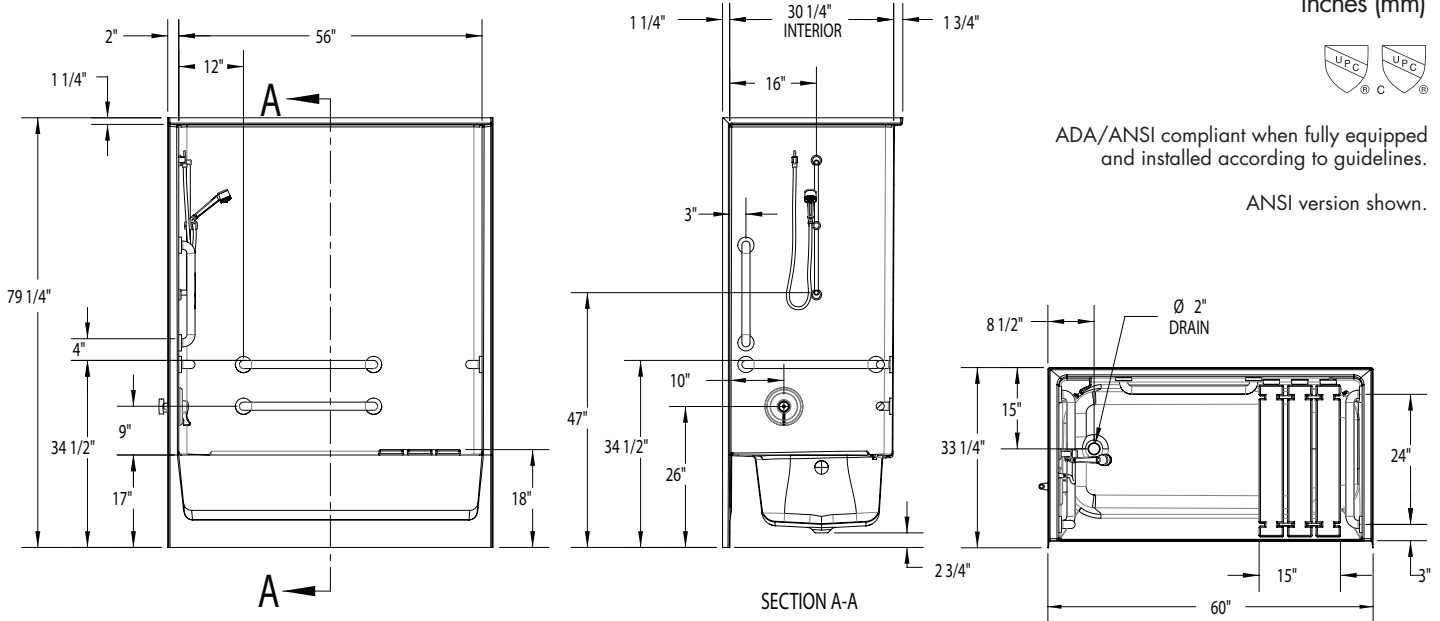
Interior: 56 x 30 1/4 x 78 (1420 x 770 x 1980)
 Exterior: 60 x 33 1/4 x 79 1/4 (1525 x 845 x 2015)

inches (mm)



ADA/ANSI compliant when fully equipped and installed according to guidelines.

ANSI version shown.



FEATURES lbs (kg) Dimensional Tolerance $\pm \frac{3}{8}$ ". Dimensions needed for site preparation should be measured from the unit. Aquatic assumes no responsibility for preparatory work.

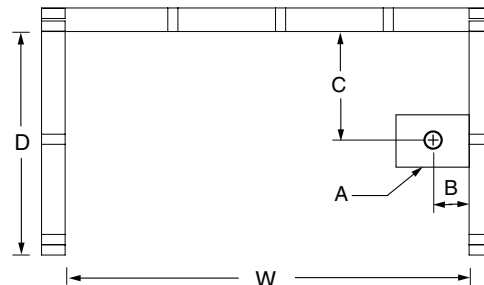
Type and Model #	Material	Wall Finish	Pieces	Drain	Skirt Height	Net Wt.	Pkg. Wt.
Tub-shower #2603SMTE	Gelcoat	Smooth	1	LH/RH	17" (430mm) skirt	199 (90)	209 (95)

DIMENSIONS

Specifications	inches (mm)
Width: Overall / Net	60 (1525) / 56 (1420)
Depth: Overall / Net	33 1/4 (845) / 32 (815)
Height: Overall / Net	79 1/4 (1980) / 78 (2015)
Enclosure Opening:	56 (1420)
Skirt Height:	17 (430)
Drain Rough-In (from Back Wall)	8 1/2 (215)
Drain Rough-In (from Side Wall)	15 (380)
Drain: Diameter / Clearance	2 (50) / 2 3/4 (70)

FRAMING DIMENSIONS inches (mm)

Type	D Depth	W Width	H Height	A	B	C
Alcove	33 1/4 (845)	60 1/8 (1525)	-	6 x 12 (150 x 305)	8 1/2 (215)	15 (380)



SUMP DATA

Top of Drain to Bottom of Overflow	Capacity to Overflow gal (ltr)	WIDTH @ centerline		DEPTH @ centerline	
		Top	Bottom	Top	Bottom
12 (305)	38 (144)	23 1/4 (590)	21 1/4 (540)	53 3/4 (1365)	45 1/4 (1150)