

Features

- Single lever handle allows control of up to three separate components to six different output options.
- Patented K-joint installation ensures consistent trim appearance, regardless of variability in valve rough-in (included with trim).
- Trim only; requires K-728-K or K-737-K MasterShower 2- or 3-way transfer valve (sold separately).
- Coordinates with other products in the Archer collection.

Material

- Premium metal construction.
- KOHLER finishes resist corrosion and tarnishing.

Required Accessories

728

or

737



For complete listing of available colors, go to kohler.com.

ADA

CSA B651

OBC

Codes/Standards

ASME A112.18.1/CSA B125.1

ADA

ICC/ANSI A117.1

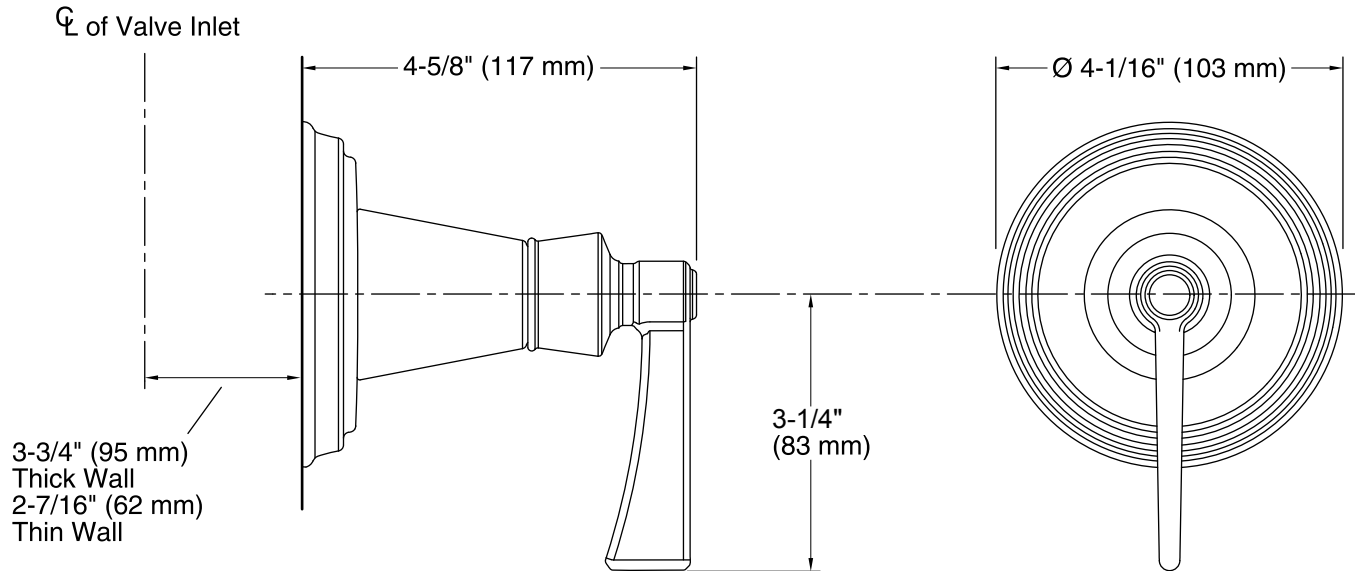
CSA B651

OBC

See website for detailed warranty information.

Product Specification

Transfer valve trim shall be of metal construction. Trim shall include front seal plate assembly and handle assembly. Trim shall complement the Archer Suite. Valve trim shall be Kohler Model K-T45850-4.



Technical Information

All measurements are nominal.

Pressure: 45 psi (3.1 bar)

Installation Notes

Install this product according to the installation guide.

ADA, OBC, CSA B651 compliant when installed to the specific requirements of these regulations.