

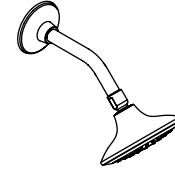
**BATH AND SHOWER VALVE TRIM**

**K-T45104**

**ALSO K-T45106, K-T45108**

**Features**

- Premium construction
- MasterClean™ spray nozzles prohibit mineral buildup for easy cleaning
- Intended for use with Rite-Temp® or HiFlow Rite-Temp® valves
- Push-button diverter on shower valve trim model [K-T45108]
- Heavy duty slip-fit clamp design and NPT threaded spout
- 2.0 gpm (7.6 lpm) showerhead with Katalyst™ Spray Technology



**Codes/Standards Applicable**

Specified model meets or exceeds the following:

- ASME A112.18.1/CSA B125.1

**Colors/Finishes**

- CP: Polished Chrome
- Other: Refer to Price Book for additional colors/finishes

**Accessories**

- NA: None applicable

**Specified Model**

Model	Description	Colors/Finishes	
K-T45104-4E	Bath and shower valve trim (shown)	<input type="checkbox"/> CP	<input type="checkbox"/> Other ____
K-T45106-4E	Shower valve trim, less diverter button	<input type="checkbox"/> CP	<input type="checkbox"/> Other ____
K-T45108-4E	Shower valve trim with diverter button	<input type="checkbox"/> CP	<input type="checkbox"/> Other ____
Rite-Temp valve must be ordered to complete faucet.			

Required Accessories		
K-304-**	Rite-Temp® pressure-balancing valve <b>OR</b>	<input type="checkbox"/> NA
K-2971-**	HiFlow Rite-Temp valve with stops <b>OR</b>	<input type="checkbox"/> NA
K-11748-**	Rite-Temp valve with push-button diverter	<input type="checkbox"/> NA
** For a complete listing of all the Rite-Temp valves, refer to the individual valve Specification sheet or Roughing-in Sheet.		

**Product Specification**

Valve trim shall be made of premium construction. Product shall be intended for use with Rite-Temp or HiFlow Rite-Temp valves. Product shall feature heavy duty slip-fit clamp design and NPT threaded spout. Product shall feature MasterClean spray nozzles to prohibit mineral buildup for easy cleaning and 2.0 gpm (7.6 lpm) showerhead with Katalyst Spray Technology. Product shall feature a push-button diverter on shower valve trim model [K-T45108]. Valve trim shall be Kohler Model K-T\_\_\_\_-4E-\_\_\_\_ and required Rite-Temp valve shall be K-\_\_\_\_-\_\_\_\_-NA.

# ALTEO™ RITE-TEMP®

## Optional Accessories

88526	Thin wall installation kit for K-2971-KS HiFlow Rite-Temp valve	<input type="checkbox"/> CP	<input type="checkbox"/> Other ____
1016453	Diverter button kit for K-305-K and K-305-KS Rite-Temp valves	<input type="checkbox"/> CP	<input type="checkbox"/> Other ____
1092535	Deep roughing-in kit for K-305 Rite-Temp valve	<input type="checkbox"/> CP	<input type="checkbox"/> Other ____
1073881	Deep roughing-in kit for K-304 and K-2971 Rite-Temp valves	<input type="checkbox"/> NA	
1156950	Deep roughing-in kit for K-11748 Rite-Temp valve	<input type="checkbox"/> CP	<input type="checkbox"/> Other ____
K-45129	Shower arm and flange	<input type="checkbox"/> CP	<input type="checkbox"/> Other ____
K-45131	Diverter bath spout	<input type="checkbox"/> CP	<input type="checkbox"/> Other ____
K-45133	Non-diverter bath spout	<input type="checkbox"/> CP	<input type="checkbox"/> Other ____

## Installation Notes

Install the valve trim according to the installation guide.

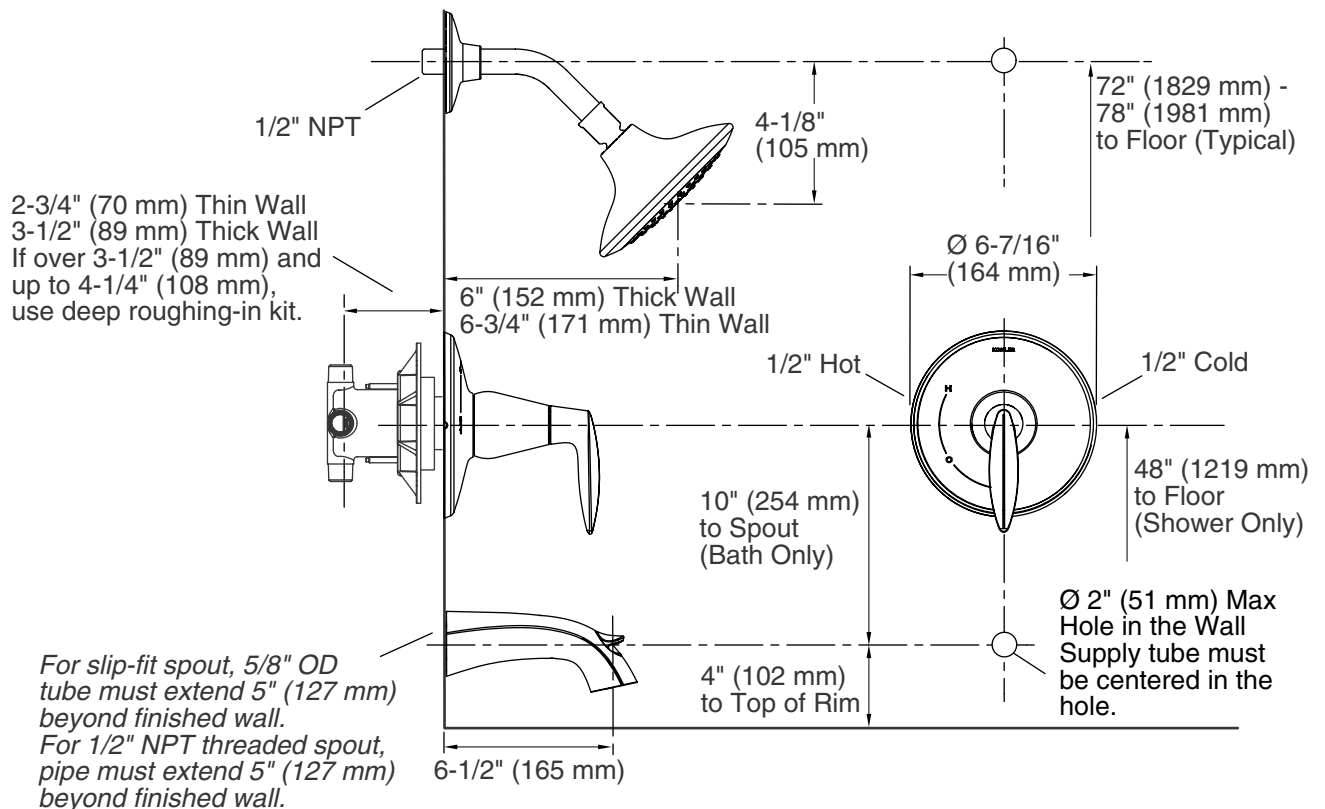
Install the Rite-Temp valve according to the installation guide.

**NOTICE: Risk of product damage.** Long screws, for installing trim, can damage the K-2971-KS valve. Consult the trim installation guide to verify if the thin wall installation kit (88526) is needed.

Avoid cross-flow conditions. Do not install a shut-off device on either valve outlet.

Cap the shower outlet if the deck-mounted spout, diverter, or handshower is connected to the spout outlet.

Install a 7" (178 mm) to 18" (457 mm) straight pipe or straight tube with single bath elbow between the valve and the wall-mount spout.



## Product Diagram