

Features

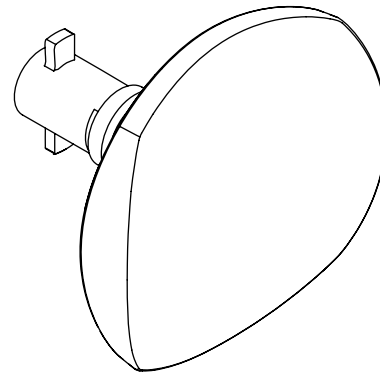
- Metal construction
- Includes handle, stopper, decorative flange, decorative flange nut, overflow escutcheon and tool
- Available in an array of aesthetics and actuation combinations

BATH CABLE DRAIN TRIM
K-T37391
ALSO K-T37392, K-T37393

Codes/Standards Applicable

Specified model meets or exceeds the following:

- ASME A112.18.1/CSA B125.1



Colors/Finishes

- CP: Polished Chrome
- Other: Refer to Price Book for additional colors/finishes

Specified Model

Model	Description	Colors/Finishes	
K-T37391	Bath cable drain trim – Basic Rotary (shown)	<input type="checkbox"/> CP	<input type="checkbox"/> Other _____
K-T37392	Bath cable drain trim – Contemporary Rotary	<input type="checkbox"/> CP	<input type="checkbox"/> Other _____
K-T37393	Bath cable drain trim – Traditional Rotary	<input type="checkbox"/> CP	<input type="checkbox"/> Other _____
K-T37394	Bath cable drain trim – Victorian Rotary	<input type="checkbox"/> CP	<input type="checkbox"/> Other _____
K-T37395	Bath cable drain trim – Contemporary Push	<input type="checkbox"/> CP	<input type="checkbox"/> Other _____
K-T37396	Bath cable drain trim – Traditional Push	<input type="checkbox"/> CP	<input type="checkbox"/> Other _____
K-T37397	Bath cable drain trim – Victorian Push	<input type="checkbox"/> CP	<input type="checkbox"/> Other _____

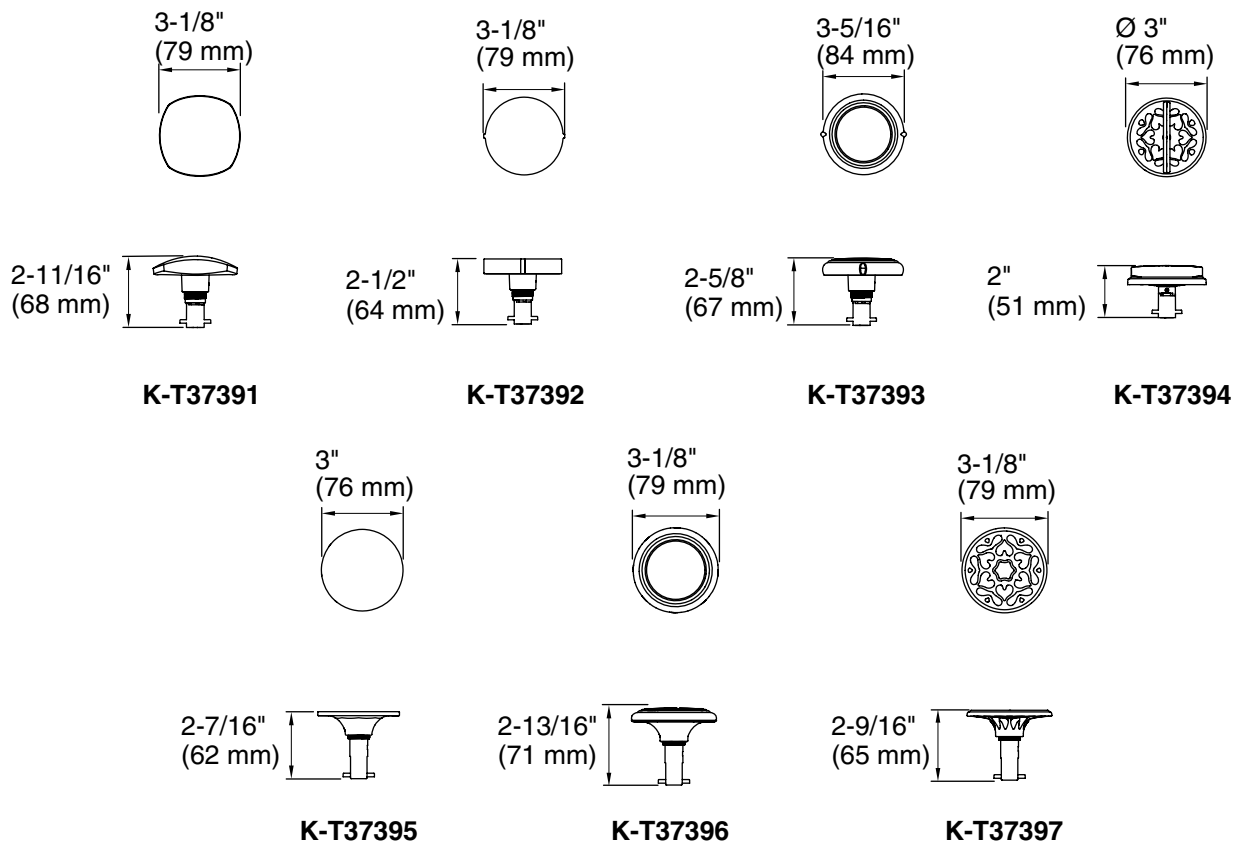
Product Specification

The bath cable drain trim shall be metal construction. Product shall include handle, stopper, decorative flange, decorative flange nut, overflow escutcheon and tool. Product shall be available in an array of aesthetics and actuation combinations. Product shall be Kohler Model K-_____-_____.

PUREFLO™

Installation Notes

Install this product according to the installation guide.



Product Diagram