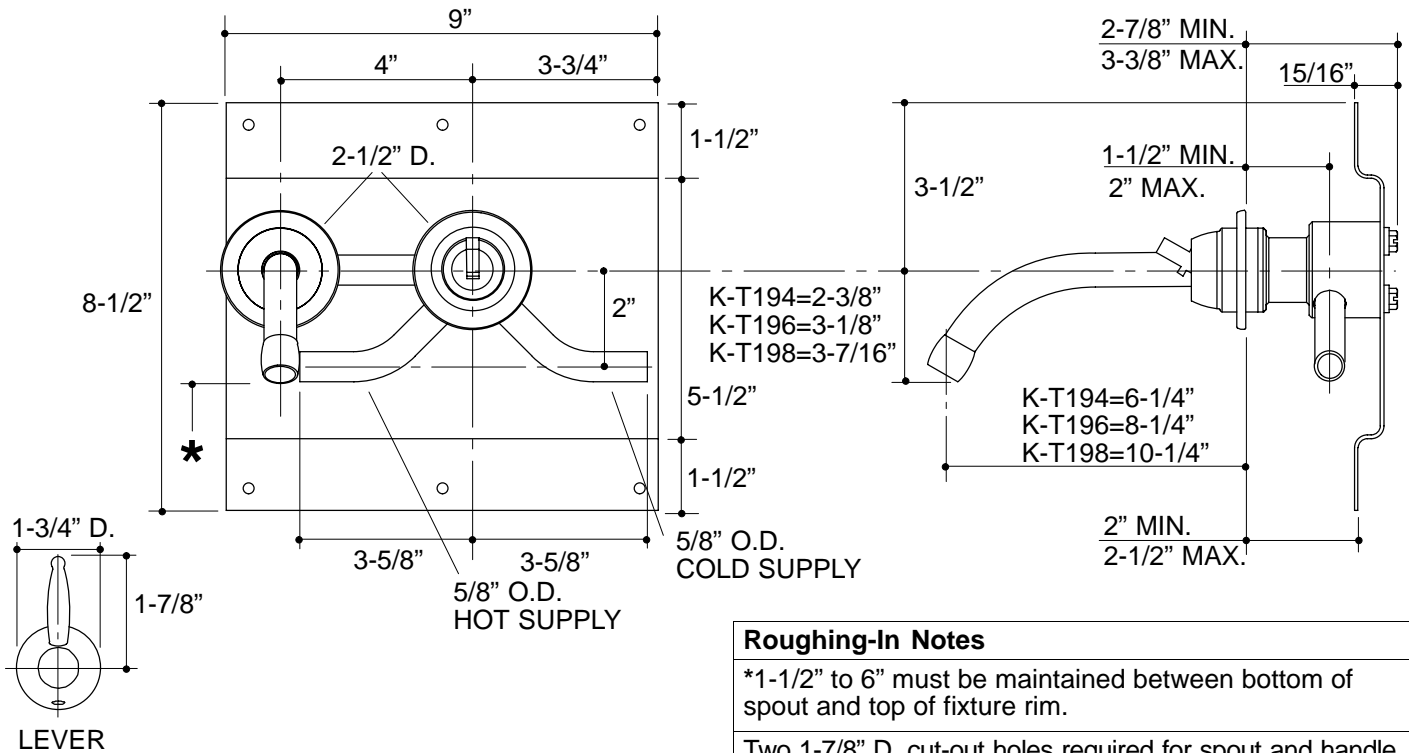


### Ordering Information

Applicable faucet trim:		
*6-1/4" spout with lever handle trim	K-T194	
*8-1/4" spout with lever handle trim	K-T196	
*10-1/4" spout with lever handle trim	K-T198	
Applicable valve:		
Wall mount valve	K-307-K	**required
*Valve must be ordered to complete faucet.		
**Required for configuration illustrated.		
<b>ADA</b> Lever handle is ADA compliant		



14

**K-T194, K-T196, K-T198, K-307-K** Falling Water Faucet  
116726-1-AA (-)

**KOHLER®**

**NOTES:**