

Features

- Brass construction
- Front seal plate assembly
- Handle assembly
- Available with scroll or traditional lever handles
- Complements Revival® Suite

**THERMOSTATIC TRIM SET
K-T16175**

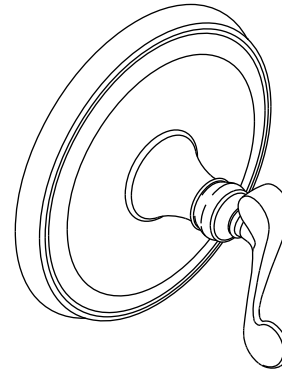
ALSO K-T16176, K-T16177, K-T16178

ADA **CSA B651** **OBC**

Codes/Standards Applicable

Specified model meets or exceeds the following:

- ADA
- ICC/ANSI A117.1
- CSA B651
- OBC
- ASME A112.18.1/CSA B125.1



Colors/Finishes

- CP: Polished Chrome
- PB: Vibrant® Polished Brass
- Other: Refer to Price Book for additional colors/finishes
- NA: None applicable

Specified Model

For complete faucet, both faucet trim and valving must be specified.					
Model	Description	Colors/Finishes			
K-T16175-4	Thermostatic valve trim, scroll handle	<input type="checkbox"/> CP	<input type="checkbox"/> PB	<input type="checkbox"/> Other ____	
K-T16175-4A	Thermostatic valve trim, traditional handle	<input type="checkbox"/> CP	<input type="checkbox"/> PB	<input type="checkbox"/> Other ____	
K-T16176-4	Stacked thermostatic valve trim, scroll handle	<input type="checkbox"/> CP	<input type="checkbox"/> PB	<input type="checkbox"/> Other ____	
K-T16176-4A	Stacked thermostatic valve trim, traditional handle	<input type="checkbox"/> CP	<input type="checkbox"/> PB	<input type="checkbox"/> Other ____	
K-T16177-4	Volume control trim, scroll handle	<input type="checkbox"/> CP	<input type="checkbox"/> PB	<input type="checkbox"/> Other ____	
K-T16177-4A	Volume control trim, traditional handle	<input type="checkbox"/> CP	<input type="checkbox"/> PB	<input type="checkbox"/> Other ____	
K-T16178-4	Transfer valve trim, scroll handle	<input type="checkbox"/> CP	<input type="checkbox"/> PB	<input type="checkbox"/> Other ____	
K-T16178-4A	Transfer valve trim, traditional handle	<input type="checkbox"/> CP	<input type="checkbox"/> PB	<input type="checkbox"/> Other ____	

Required Accessories (continued on page 2)		
K-669-KS	3/4" Thermostatic valve	<input type="checkbox"/> NA
K-670-KS	3/4" Stacked thermostatic valve	<input type="checkbox"/> NA
K-671-K	3/4" Volume control	<input type="checkbox"/> NA

Product Specification

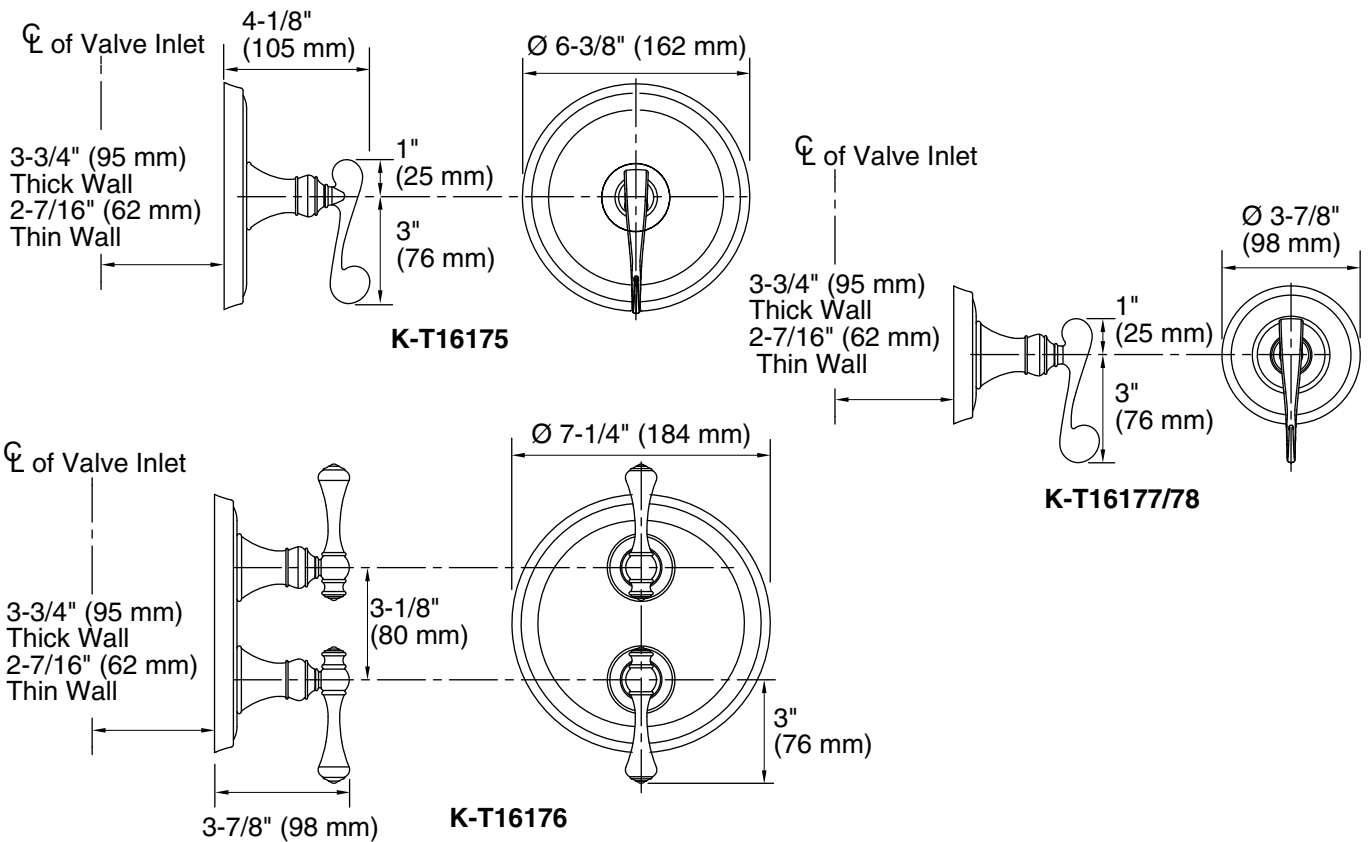
Thermostatic trim set shall be of brass construction. Trim shall include front seal plate assembly and handle assembly. Trim shall be available with scroll or traditional handle. Trim shall complement the Revival Suite. Thermostatic trim set shall be Kohler Model K-T____-____-____ and thermostatic valving shall be K-____-____-NA.

REVIVAL®

K-679-KS	1/2" Thermostatic valve	<input type="checkbox"/> NA
K-680-KS	1/2" Stacked thermostatic valve	<input type="checkbox"/> NA
K-681-K	1/2" Volume control	<input type="checkbox"/> NA
K-728-K	3/4" Transfer valve	<input type="checkbox"/> NA

Installation Notes

Install this product according to the installation guide.



Product Diagram