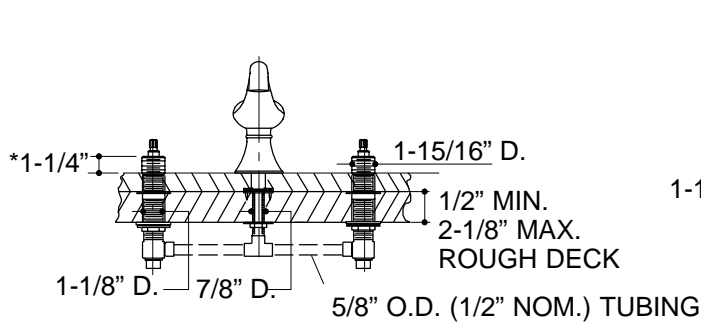
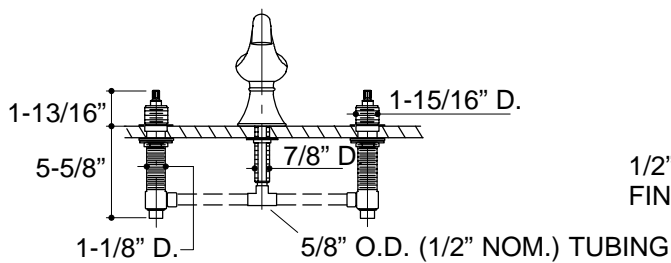


Ordering Information

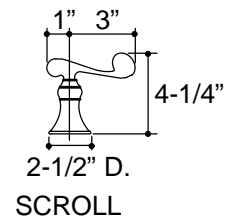
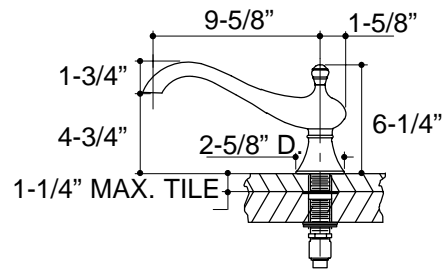
Applicable faucet trim:		
Scroll handles with spout		K-T16119-4
Traditional handles with spout		K-T16119-4A
Applicable valve:		
1/2" valve system	K-300-K-NA	required*
* Required for configuration illustrated.		
ADA Traditional and scroll lever handles are ADA compliant		



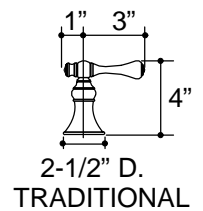
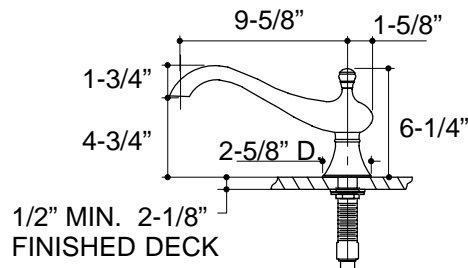
**ROUGH DECK WITH FINISH MATERIAL
(TILE) INSTALLATION**



FINISHED DECK INSTALLATION



SCROLL



TRADITIONAL

Roughing-In Notes

*Dimension allows +/- 1/4" handle adjustment during handle trim installation.